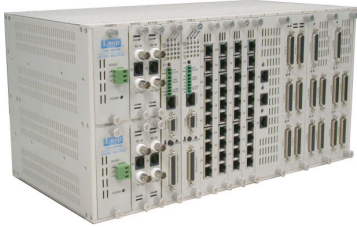




Loop-AM3440 Access DCS-MUX

AM3440-A



AM3440-B



AM3440-C



Description

The Loop-AM3440-A/B/C series are Access DCS-MUXs that combine various digital access interfaces into E1 or T1 lines for convenient transport and switching. The Loop-AM3440 Access DCS-MUX provides access for a variety of TDM, IP, and voice interfaces detailed on the next page. These interfaces are compatible with other Loop products. Using these products, a DTE interface can be extended over copper wire pairs or any E1/T1 transport facility. Each Quad E1/T1 plug-in card can have as many as DS0 124/96 time slots from G.SHDSL, RS232, X.21, V.35, V.36 and EIA530 / RS449 interfaces, which can be multiplexed to fill 4 E1/T1 lines. The AM3440 also supports fiber optical plug-in cards, which can be used to aggregate up to 4 E1 channels onto a single fiber optical interface to connect with other AM3440 devices or with the O9310-E1.

Each of the 3 models of AM3440-A, B, and C has a number of plug-in slots in single slot size and mini size. Card size to slot compatibility is detailed on the next page.

Features

- Full frontal access (ETSI) Shelf
- DS0 DACS (Digital Access Cross-Connect System) with full cross-connect support
- Dual controller, dual power with load sharing
- 1 for 1 protection via Y-BOX
- 1 for 1 protection, E1, T1, FOM
- PDH ring protection, QE1, QT1, FOM, Mini QE1
- Console, Telnet, and Inband management support
- SNMP v.1 and v.3
- Craft interface port for connection to external Intelligent Front Panel
- Compatible to a SNMP based GUI network management system and supported by LoopView and Loop iNMS
- Three chassis types available: AM3440-A, AM3440-B, AM3440-C
- All the plug-in cards are hot-pluggable

Item	AM3440-A	AM3440-B	AM3440-C
Chassis	5U	2.5U	3U
# of Mini-slots	4	4	4
# of Single slots	12	3	5
Maximum E1 Channels	64	28	36
Maximum T1 Channels	52	16	24
Cross-Connect Backplane Capacity	128 Mbps	56 Mbps	72 Mbps

This unit is a full cross-connect and can act as a mini DACS: one or more of the WAN ports can be used as a Drop & Insert function with fractional E1/T1 lines, which can be muxed into a full E1/T1 line.

Redundancy is available in dual CPU controller and power supply options, making it an excellent fit for critical applications. The chassis does not need fan cooling, and thus does not have a fan, though an external fan tray is available.

The AM3440 supports local control and diagnostics by using a VT-100 terminal connected to the console port. There are LED indications for all plug-in cards. The AM3440 also supports Ethernet, Telnet, and SNMP, so that it can be controlled and diagnosed from remote locations. An in-band management channel with GUI is available.

The AM3440 consists of a rugged reinforced aluminum chassis, giving this equipment a durable structure and a long-lasting physical life.

Loop-AM3440 cards:

The mini-slot cards plug into the mini-slots of the AM3440. The single-slot cards plug into single slots. The dual-slot cards plug into two adjacent single slots.

	Plug-in cards	AM3440-A	AM3440-B	AM3440-C
Mini-Slot	1-channel E1 (Single E1 interface)	√	√	√
	1-channel T1 (Single T1 interface)	√	√	√
	Mini Quad E1 (Four E1 interfaces)	√	√	√
	1-channel E1 ATM/Frame Relay	D	D	D
	1-channel T1 ATM/Frame Relay	D	D	D
	Fiber optical interface	√	√	√
	1-channel X.21	√	√	√
	1-channel V.35	√	√	√
	1-channel RS232	√	√	√
	1-channel EIA530	√	√	√
	Quad 2W/4W E&M (Four E&M voice interfaces)	x	√	√
	Quad E&M (Type A)	x	√	√
	QFXS/QFXO (Four FXS/FXO voice interfaces)	x	√	√
	QFXSA (Four FXS voice interfaces)	x	√	√
	2-LAN port/32 WAN port Router	√	√	√
	2-LAN port/64 WAN port Router-A	√	√	√
	3-channel Terminal Server	√	√	√
	Phone Line Monitor (PLM) cards	x	√	√
	1-channel OCU-DP	x	√	√
	Echo Canceller Card	√	√	√
	Analog Bridge Card	√	√	√
	Mini 1-channel low speed optical (C37.94)	√	√	√
	Single-Slot	3-channel E1	√	x
3-channel T1		√	x	√
4-channel E1		√	√	√
4-channel T1		√	√	√
8-channel OCU-DP		√	x	x
2-channel G.SHDSL (2 pairs) w/o line power		√	√	√
4-channel G.SHDSL (1 pair) w/o line power		√	√	√
8-channel G.703 card at 64 Kbps data rate		√	√	√
8-channel Dry Contact I/O		√	√	√
8-channel Dry Contact I/O type B		√	√	√
8-channel 2W/4W E&M		√	√	√
12-channel FXS		√	√	√
12-channel FXO		√	√	√
12-channel Magneto		√	√	√
Conference card		√	√	√
1-channel low speed optical (C37.94)		√	√	√
4-channel low speed optical (C37.94)		√	√	√
8-channel RS232 with X.50 subrate		√	√	√
6-channel RS232 with V.110 encoding		√	√	√
8-LAN-port/ 64-WAN-port Router-B		√	√	√
4-channel TDMoE		√	√	√
8-channel Data Bridge		√	√	√
1FOMA		√	√	√
8-channel UDTEA	√	√	√	
Dual-Slot	6-channel X.21/V.11	√	√	√
	6-channel V.35	√	√	√
	6-channel V.36	√	√	√
	6-channel EIA530/RS449 card	√	√	√
	2-channel G. SHDSL (2 pairs) with line power	√	x	x
	4-channel G. SHDSL (1 pair) with line power	√	x	x
	24-channel FXS	√	√	√
24-channel FXO	√	√	√	

Note: ✓ = Supported * = Future Option
 × = Not supported D= Discontinued

Ordering Information

To specify options, choose from the list below:

Notes:

1. RoHS compliant units are identified by the letter **G** appearing immediately at the end of ordering code.
2. AM3440 chassis types:
 - AM3440-A:** 5U chassis with 128 Mb/s cross-connect capacity backplane.
 - AM3440-B:** 2.5U chassis with 56 Mb/s cross-connect capacity backplane.
 - AM3440-C:** 3U chassis with 72 Mb/s cross-connect capacity backplane.
 - AM3440-D:** 2U chassis with 72 Mb/s cross-connect capacity backplane. Support Mini Plug-in Modules only. Please refer to separate AM3440-D brochure.

Model	Description	Notes
Main Unit		
Loop-AM3440-CHAJ- G	AM3440-A type Chassis. Wideband Main Unit without CPU, power and plug-in cards	19"/23" ear mount included. Loop-AM3440-CHAJ- G and
Loop-AM3440-CHCJ- G	AM3440-C type Chassis. Wideband Main Unit without CPU, power and plug-in cards	Loop-AM3440-CHCJ- G are applicable to use with 3E1/3T1 card for DS0 SNCP function
Loop-AM3440-CHB- G	AM3440-B type Chassis. Wideband Main Unit without CPU, power and plug-in cards	19"/23" ear mount included. Doesn't support DS0 SNCP function
CPU Module		
Loop-AM3440-CCA- G	CPU card with E1 External Clock	Default is E1 External Clock; for T1 selection, please change manually. (order two for redundancy)

Mini Plug-in Module (Select 1 to 4 cards from list below)

Model	Description	Notes
Loop-AM3440-E75- G	1-channel of E1 plug-in card w/ 75 ohm	
Loop-AM3440-E120- G	1-channel of E1 plug-in card w/ 120 ohm	
Loop-AM3440-T1- G	1-channel T1 plug-in card	
Loop-AM3440-M4E75- G	Mini Quad E1 plug-in card with 75 ohm	Includes a three meter conversion cable, please make a note on which cable you need. (Loop-ACC-CAB-DB25M-300-8BNCFM or Loop-ACC-CAB-DB25M-300-8BNCF)
Loop-AM3440-M4E120- G	Mini Quad E1 plug-in card with 120 ohm	Includes a three meter conversion cable (Loop-ACC-CAB-DB25M-300-4RJ48M)
Loop-AM3440-RT- G	2-LAN ports/32 WAN port Router/Bridge plug-in card	
Loop-AM3440-RTA- G	2-LAN ports/64 WAN port router/bridge plug-in card	
Loop-AM3440-FOM-opt- G	Fiber Optical plug-in card	For opt option, please refer to the table below for detail information
Loop-AM3440-TS- G	3-channel Terminal Server plug-in card	Includes a one meter conversion cable (Loop-ACC-CAB-DB44M-100-2DB25F-1DB09F-TS)
Loop-AM3440-1ODP	1 port OCU-DP Interface card	For AM3440-B/C only Only non-RoHS compliant model available Limited Quantity
Loop-AM3440-1X21- G	1-channel X.21 plug-in card	
Loop-AM3440-1RS232- G	1-channel RS232 plug-in card	

Model	Description	Notes
Loop-AM3440-1V35- G	1-channel V.35 plug-in card	
Loop-AM3440-1E530- G	1-channel EIA530 plug-in card	
Loop-AM3440-QEMA- wr-m-Tn-x-G	Jumper selectable: 2/4 WIRE; A/B side Quad E&M voice card, complied with IEEE1613 standard.	For AM3440-B/C only For wr, m, n and x option, please refer to the table below for detail information
Loop-AM3440-QFXS- x-pt-G	Quad FXS voice plug-in card	For AM3440-B/C only
Loop-AM3440-QFXS-M- x-pt-G	Quad FXS with MP 16 KHz voice plug-in card	GS = Ground Start MP = Metering Pulse Transmit 12/16 KHz
Loop-AM3440-QFXS-M12- x-pt-G	Quad FXS with MP 12 KHz voice plug-in card	pt = power type
Loop-AM3440-QFXS-GS- x-pt-G	Quad FXS with GS plug-in card	For x option, please refer to the table below for detail information
Loop-AM3440-QFXS-GM- x-pt-G	Quad FXS with GS and MP 16 KHz voice plug-in card	For pt option, please refer to the table below for detail information QFXS-GM includes all QFXS card functions
Loop-AM3440-QFXO- x-G	Quad FXO voice plug-in card	For AM3440-B/C only
Loop-AM3440-QFXO-M- x-G	Quad FXO with MP 16 KHz voice plug-in card	GS = Ground Start
Loop-AM3440-QFXO-M12- x-G	Quad FXO with MP 12 KHz voice plug-in card	MP = Metering Pulse Receive 12/16 KHz
Loop-AM3440-QFXO-GS- x-G	Quad FXO with GS plug-in card	For x option, please refer to the table below for detail information
Loop-AM3440-QFXO-GM- x-G	Quad FXO with GS and MP 16 KHz voice plug-in card	QFXO-GM includes all QFXO card functions
Loop-AM3440-QFXSA- x-pt-G	Quad FXSA voice card	AM3440-CHB and AM3440-CHC only
Loop-AM3440-QFXSA-M- x-pt-G	Quad FXSA with MP 16KHz voice card	Jumper setting options: Loop Start, Ground Start (GS), Metering Pulse Transmit 12/16 KHz (MP)
Loop-AM3440-QFXSA-M12- x-pt-G	Quad FXSA with MP 12KHz voice card	For x & pt options, please refer to the table below for detail information
Loop-AM3440-QFXSA-GS- x-pt-G	Quad FXSA with GS	Work with controller firmware v8.38.01 or up for software programmable signaling bits.
Loop-AM3440-QFXSA-GM- x-pt-G	Quad FXSA with GS and MP 16KHz voice card	
Loop-AM3440-PLM(A)	Phone Line Monitor (A) Line plug-in card with phone line monitor	Need to order in pair
Loop-AM3440-PLM(B)	Phone Line Monitor (B) Monitor plug-in card	For AM3440-B/C only Only non-RoHS compliant models available
Loop-AM3440-ECA- G	Echo canceller plug-in card	
Loop-AM3440-ABRA- G	Analog voice bridging plug-in card	
Loop-AM3440-M1C37- G	1- channel C37.94 plug-in mini card	

Single Slot Plug-in Module

Model	Description	Notes
Loop-AM3440-8UDTEA-opm- G	8-port universal data interface card that supports RS232/RS422/RS485 full-duplex	For opm option, please refer to the table below for detail information.

Model	Description	Notes
	DCE interface which is software configurable Available option mode: Terminal Server, Omnibus, and Clock Pass Through	
Loop-AM3440-3E1-cc-G	3-channel E1 plug-in card with DS0 (64K bps) SNCP protection Note: DS0 SNCP protection only support E1 frame mode	Order with Loop-AM3440-CHAJ-G or Loop-AM3440-CHCJ-G ONLY For cc option, please refer to the table below for detail information For controller hardware version J and software version 8.02.01 or newer versions.
Loop-AM3440-3T1-G	3-channel T1 Interface	Order with Loop-AM3440-CHAJ or Loop-AM3440-CHCJ ONLY For controller hardware version J and software version 8.38.01 or newer versions.
Loop-AM3440-TDMoE-PPM-G	TDMoE card with 2 GbE combo interfaces and 2 Ethernet interfaces (10/100/1000BaseT) plug-in module Support G.823 Traffic	
Loop-AM3440-TDMoE-PPB-G	TDMoE card with 2 GbE combo interfaces and 2 Ethernet interfaces (10/100/1000BaseT) plug-in module Support G.823 Synchronization	
Loop-AM3440-4E1-cc-G	4-channel E1 plug-in card	For cc option, please refer to the table below for detail information
Loop-AM3440-4T1-G	4-channel T1 plug-in card	
Loop-AM3440-2GH-G	2-channel G.SHDSL plug-in card (2 pair)	
Loop-AM3440-4GH-G	4-channel G.SHDSL plug-in card (1 pair)	
Loop-AM3440-8CD-G	8-channel G.703 plug-in card at 64 Kbps data rate	
Loop-AM3440-8DC-G	8-channel dry contact plug-in card with maximum voltage 100 Vdc or 250 Vac	
Loop-AM3440-8DCB-G	8-channel dry contact type B plug-in card with maximum voltage 220 Vdc or 250 Vac	
Loop-AM3440-1C37-LSFOM -G	1- channel C37.94 plug-in card	For LSFOM option, please refer to the table below for detail information
Loop-AM3440-4C37-LSFOM -G	4- channel C37.94 plug-in card	
Loop-AM3440-ODP	8-channel OCU-DP plug-in card	For AM3440-CHA only. Only non-RoHS compliant model available Limited Quantity
Loop-AM3440-8RS232-RJ-G	8-port RS232 plug-in card with X.50 subrate multiplexing scheme and X.54 encoding, with 8 RJ48 connectors for 8 RS232 Async ports	
Loop-AM3440-8RS232-DB-G	8-port RS232 plug-in card with X.50 subrate multiplexing scheme and X.54 encoding, with 2 RJ48 connectors and 2 DB44 connectors for Async and Sync ports	Two conversion cables are included (DB44 connector to two DB25 and one DB9 connector; (Loop-ACC-CAB-DB44M-100-2DB25F-1DB09F-DB).
Loop-AM3440-6RS232A-RJ-G	6-port RS232 card with V.110 encoding, with 6 RJ48 connectors for 6 RS232 Async ports	This card can be used in AM3440-A/B/C only.
Loop-AM3440-6RS232A-DB-G	6-port RS232 card with V.110 encoding, with 2 DB44 connectors for Async and Sync	This card can be used in AM3440-A/B/C only.

Model	Description	Notes
	ports	Two conversion cables are included, DB44 connector to two DB25 and one DB9 connectors. (Loop-ACC-CAB-DB44M-100-2DB25F-1DB09F-DB)
Loop-AM3440-8DBRA-RJ-G	8-channel data bridge plug-in card, with 8 RJ48 connectors for 8 data bridge Async ports	
Loop-AM3440-8DBRA-DB-G	8-channel data bridge plug-in card, with 2 RJ48 connectors and 2DB44 connectors for 8 data bridge Async ports	Two conversion cables are included (DB44 connector to two DB25 and one DB9 connector; (Loop-ACC-CAB-DB44M-100-2DB25F-1DB09F-DB).
Loop-AM3440-1FOMA-opt-G	1FOMA Fiber Optical Interface with 1x9 optical port	For opt option, please refer to the table below for detail information For controller hardware version F and software version V8.15.01 or newer versions.
Loop-AM3440-RTB-G	8-LAN ports/64 WAN ports router/bridge plug-in card	For controller hardware version F and software version 6.05.02 or newer versions.
Loop-AM3440-CONF-G	Conference plug-in card with two RS232 data ports, two FXS ports and two E&M ports	For controller hardware version F and software version 7.05.01 or newer versions.
Loop-AM3440-8EM-x-G	8-channel 2W/4W E&M plug-in card with 8 RJ45	For x option, please refer to the table below for detail information
Loop-AM3440-12FXS-sn-pt-G	12-channel FXS plug-in card with 600/900 Impedance, Battery Reverse, Loop Start and PLAR. Without Ground Start and Metering Pulse. Used with 12 RJ11.	12FXS-GMP includes all FXS card functions
Loop-AM3440-12FXS-P-sn-pt-G	12-channel FXS plug-in card with 600/900 Impedance, Battery Reverse, Loop Start, PLAR and [PLAR bit programmable]. Without Ground Start and Metering Pulse. Used with 12 RJ11.	For sn option, please refer to the table below for detail information pt = power type.
Loop-AM3440-12FXS-M-sn-pt-G	12-channel FXS plug-in card with 600/900 Impedance, Battery Reverse, Loop Start, PLAR and [Metering Pulse]. Used with 12 RJ11.	For pt option, please refer to the table below for detail information
Loop-AM3440-12FXS-MPP-sn-pt-G	12-channel FXS plug-in card with 600/900 Impedance, Battery Reverse, Loop Start, PLAR, [PLAR bit programmable] and [Metering Pulse]. Used with 12 RJ11.	The IEEE1613 standard applies to AM3440-A/C only
Loop-AM3440-12FXS-GS-sn-pt-G	12-channel FXS plug-in card with 600/900 Impedance, Battery Reverse, Loop Start, PLAR and [Ground Start]. Used with 12 RJ11.	2FXS-GMP includes all FXS card functions For sn option, please refer to the table below for detail information
Loop-AM3440-12FXS-GM-sn-pt-G	12-channel FXS plug-in card with 600/900 Impedance, Battery Reverse, Loop Start, PLAR, [Ground Start] and [Metering Pulse]. Used with 12 RJ11.	pt = power type. For pt option, please refer to the table below for detail information
Loop-AM3440-12FXS-GMP-sn-pt-G	12-channel FXS plug-in card with 600/900 Impedance, Battery Reverse, Loop Start, PLAR, [PLAR bit programmable], [Ground Start] and [Metering Pulse]. Used with 12 RJ11.	The IEEE1613 standard applies to AM3440-A/C only
Loop-AM3440-12FXO-G	12-channel FXO plug-in card with 600/900 Impedance, Battery Reverse and Loop	12FXO-GM includes all FXO card functions

Model	Description	Notes
	Start. Without Ground Start and Metering Pulse. Used with 12 RJ11.	
Loop-AM3440-12FXO-M-G	12-channel FXO plug-in card with 600/900 Impedance, Battery Reverse, Loop Start and [Metering Pulse]. Used with 12 RJ11.	
Loop-AM3440-12FXO-GS-G	12-channel FXO plug-in card with 600/900 Impedance, Battery Reverse, Loop Start and [Ground Start]. Used with 12 RJ11.	
Loop-AM3440-12FXO-GM-G	12-channel FXO plug-in card with 600/900 Impedance, Battery Reverse, Loop Start, [Ground Start] and [Metering Pulse]. Used with 12 RJ11.	
Loop-AM3440-12MAG-A-1G-x-G	12-channel Magneto ring-one-time plug-in module w/ L1. GND	12MAG-A-1G2 includes all function of 12MAG-A cards.
Loop-AM3440-12MAG-A-12-x-G	12-channel Magneto ring-one-time plug-in module w/ L1, L2	For x option, please refer to the table below for detail information
Loop-AM3440-12MAG-A-1G2-x-G	12-channel Magneto ring-one-time plug-in module w/ L1, L2, and L1. GND	
Loop-AM3440-12MAG-1G-x-G	12-channel Magneto plug-in module w/ L1. GND	12MAG-1G2 includes all function of MAG cards.
Loop-AM3440-12MAG-12-x-G	12-channel Magneto plug-in module w/ L1, L2	For x option, please refer to the table below for detail information
Loop-AM3440-12MAG-1G2-x-G	12-channel Magneto plug-in module w/ L1, L2, and L1. GND	

Dual Slot Plug-in Module









Model	Description	Notes
Loop-AM3440-6X21A-G	6-channel X.21/V.11 plug-in card with DB15S connector	
Loop-AM3440-6V35A-G	6-channel V.35 plug-in card with DB25S connector via conversion cable to M34 (2M bits per channel)	
Loop-AM3440-6V36A-G	6-channel V.36 plug-in card with DB25 connector via conversion cable to DB37	
Loop-AM3440-6E530A-G	6-channel EIA530 plug-in card with DB25 connector	
Loop-AM3440-6RS449A-G	6-channel EIA530/RS449 plug-in card with DB25 connector via conversion cable to DB37	Includes a 30 cm conversion cable (Loop-ACC-CAB-DB25M-30-1DB37F)
Loop-AM3440-2GHL	2-channel G.SHDSL plug-in card with line power source (140 Vdc, 110mA), (2 pair)	For AM3440-A only Factory installed option available with -48 Vdc, -125Vdc powered chassis only.
Loop-AM3440-4GHL	4-channel G.SHDSL plug-in card with line power source (190 Vdc, 60mA), (1 pair)	With line power, takes 2 DTE slots per card. Fan tray required. Only non-RoHS compliant model available
Loop-AM3440-24FXS-sn-pt-G	24-channel FXS plug-in card with 600/900 Impedance, Battery Reverse, Loop Start and PLAR. Without Ground Start and Metering Pulse	24FXS-GMP includes all FXS card functions. Pt = power type
Loop-AM3440-24FXS-P-sn-pt-G	24-channel FXS plug-in card with 600/900	

Model	Description	Notes
G	Impedance, Battery Reverse, Loop Start, PLAR and [PLAR bit programmable]. Without Ground Start and Metering Pulse	For sn option, please refer to the table below for detail information For pt option, please refer to the table below for detail information
Loop-AM3440-24FXS-M- sn-pt-G	24-channel FXS plug-in card with 600/900 Impedance, Battery Reverse, Loop Start, PLAR and [Metering Pulse].	The IEEE1613 standard applies to AM3440-A/C
Loop-AM3440-24FXS-MPP- sn-pt-G	24-channel FXS plug-in card with 600/900 Impedance, Battery Reverse, Loop Start, PLAR, [PLAR bit programmable] and [Metering Pulse].	24FXS-GMP includes all FXS card functions.
Loop-AM3440-24FXS-GS- sn-pt-G	24-channel FXS plug-in card with 600/900 Impedance, Battery Reverse, Loop Start, PLAR and [Ground Start].	Pt = power type
Loop-AM3440-24FXS-GM- sn-pt-G	24-channel FXS plug-in card e with 600/900 Impedance, Battery Reverse, Loop Start, PLAR, [Ground Start] and [Metering Pulse].	For sn option, please refer to the table below for detail information For pt option, please refer to the table below for detail information
Loop-AM3440-24FXS-GMP- sn-pt-G	24-channel FXS plug-in card with 600/900 Impedance, Battery Reverse, Loop Start, PLAR, [PLAR bit programmable], [Ground Start] and [Metering Pulse].	The IEEE1613 standard applies to AM3440-CHA/CHC
Loop-AM3440-24FXO- G	24-channel FXO plug-in card with 600/900 Impedance, Battery Reverse and Loop Start. Without Ground Start and [Metering Pulse].	24FXO-GM includes all FXO card functions.
Loop-AM3440-24FXO-M- G	24-channel FXO plug-in card with 600/900 Impedance, Battery Reverse, Loop Start and [Metering Pulse].	
Loop-AM3440-24FXO-GS- G	24-channel FXO plug-in card with 600/900 Impedance, Battery Reverse, Loop Start and [Ground Start].	
Loop-AM3440-24FXO-GM- G	24-channel FXO plug-in card with 600/900 Impedance, Battery Reverse, Loop Start, [Ground Start] and [Metering Pulse].	

Accessories


Power Module

Loop-AM3440-S5- G	Single -48 Vdc (-36 to -75 Vdc) Power Module (150W) for AM3440-A only	For AM3440-CHA only For shared redundancy, order 2 single DC.
--------------------------	---	--

Loop-AM3440-SD-G	Single -48 Vdc (-36 to -75 Vdc) Power Module (100W) for AM3440-A only	For AM3440-CHA only For shared redundancy, order 2 single DC If the user orders 100W power module, the maximum number of cards allowed in slot 1 to 12 is: <ul style="list-style-type: none"> • Four 12-channel FXS • Nine 12-channel Magneto • Eleven 8-channel 2W/4W E&M • Six 8-channel OCU-DP • Two 4-channel G. SHDSL (1 pair) with line power • Three 2-channel G. SHDSL (2 pairs) with line power • Two 24-channel FXS
Loop-AM3440-SD125-G	Single -125 Vdc (-40 to -150 Vdc) Power Module (100W) for AM3440-A only	There are no limitations for other plug-in cards in slot 1 to 12. There are no limitations for any plug-in cards in slot A to D. For power consumption details, please refer to AM3440-A User's Manual.
Loop-AM3440-S524-G	Single -24 Vdc (-18 to -36 Vdc) Power Module (150W) for AM3440-A only	For AM3440-CHA only Cannot be used with MAG card.
Loop-AM3440-SDA-G	Single -24Vdc/-48Vdc (-18 to -75 Vdc) power module (150W) for AM3440-A only	For AM3440-CHA only
Loop-AM3440-SDB-G	Single -48 Vdc (-36 to -75 Vdc) Power Module (100W) for AM3440-B/C	For AM3440-CHB/CHC For shared redundancy, order 2 single DC.
Loop-AM3440-SAB-G	Single AC plug-in power supply (100 to 240 Vac, 50/60 Hz) for AM3440-B/C	For AC, no redundancy Choose an appropriate power cord
Mounting Ear		
19"/23" ear mounts	A pair of 19"/23" ear mounts is supplied as part of standard package.	For other sizes, please contact your nearest Loop sales representative.
User's Manual		
Loop-AM3440-UM	User's Manual (optional, paper copy). A CD version of the manual is already included as standard equipment.	For AM3440-A only
Loop-AM3440-UMB	User's Manual (optional, paper copy). A CD version of the manual is already included as standard equipment.	For AM3440-B only
Loop-AM3440-UMC	User's Manual (optional, paper copy). A CD version of the manual is already included as standard equipment.	For AM3440-C only
Power Cord (All power cord are RoHS compliant)		
Loop-ACC-PC-USA	AC power cord for Taiwan/America	
Loop-ACC-PC-EU	AC power cord for Europe	
Loop-ACC-PC-UK	AC power cord for UK	
Loop-ACC-PC-AUS	AC power cord for Australia	
Loop-ACC-PC-CH	AC power cord for China	
Power Adaptor (All power adaptor are RoHS compliant)		
Loop-ACC-APA-240-G	240 Watt, AC (3.6A, auto sensing) to DC (+48 Vdc, 5A) adaptor for USA	
Loop-ACC-APE-240-G	240 Watt, AC (3.6A, auto sensing) to DC (+48 Vdc, 5A) adaptor for Europe	
Loop-ACC-APU-240-G	240 Watt, AC (3.6A, auto sensing) to DC (+48 Vdc, 5A) adaptor for UK	
Fan Tray		

Loop-AM3440-FAN-G	Fan tray	For AM3440-A only Power supplied from rear of chassis. If total power consumption of device and cards is more than 60 Watts, an additional fan tray is required. For power consumption and fan tray plan, please refer to AM3440-A User's Manual.
-------------------	----------	---

Air Flow Guide Rack & Cable Management

Loop-AM3440-FILRCMA-G	Air Filter Rack with cable management for AM3440, 2U (88mm) with 10cm ring, air filter included	For AM3440-CHA only 
Loop-AM3440-CMA-G	Cable Management for AM3440, 1U (44mm) with 10cm ring	For AM3440-CHA, CHB, CHC, CHD

FXO Box

Loop-AM3440-FXO BOX	Support FXO Interface Battery Feed	Non-RoHS compliant
---------------------	------------------------------------	--------------------

Conversion Cables (All conversion cables are RoHS compliant)

Model	Description	Note
Loop-ACC-CAB-DB25M-100-8BNCM	DB25/Male to eight BNC/Male cable; Length: 100 cm	Used in Loop-AM3440-M4E75-G plug-in card
Loop-ACC-CAB-DB25M-100-8BNCF	DB25/Male to eight BNC/Female cable; Length: 100 cm	Used in Loop-AM3440-M4E75-G plug-in card
Loop-ACC-CAB-DB25M-300-8BNCM	DB25/Male to eight BNC/Male cable; Length: 300 cm	Used in Loop-AM3440-M4E75-G plug-in card
Loop-ACC-CAB-DB25M-300-8BNCF	DB25/Male to eight BNC/Female cable; Length: 300 cm	Used in Loop-AM3440-M4E75-G plug-in card
Loop-ACC-CAB-DB25M-100-4RJ48M	DB25/Male to four RJ48C/Male cable; Length: 100 cm	Used in Loop-AM3440-M4E120-G plug-in card
Loop-ACC-CAB-DB25M-300-4RJ48M	DB25/Male to four RJ48C/Male cable; Length: 300 cm	Used in Loop-AM3440-M4E120-G plug-in card
Loop-ACC-CAB-DB44M-100-2DB25F-1DB09F-DB	DSUB-44 pin/Male to two DSUB-25 pin/Female-one DSBU-9 pin/Female (8P8C) plug, Length:100cm	Used in Loop-AM3440-8RS232-DB-G, Loop-AM3440-8DBRA-DB-G, and Loop-AM3440-6RS232A-DB-G plug-in card
Loop-ACC-CAB-DB44M-100-2DB25F-1DB09F-TS	DSUB-44 pin/Male to two DSUB-25 pin/Female-one DSBU-9 pin/Female (8P8C) plug, Length:100cm	Used in Loop-AM3440-TS-G plug-in card
Loop-ACC-CAB-DB25M-30-1M34F	DSUB-25pin/Male to M34/Female V.35 Conversion cable Length: 30 cm	Used in Loop-AM3440-6V35A-G and Loop-AM3440-1V35-G plug-in cards
Loop-ACC-CAB-DB25M-30-1DB37F	DSUB-25pin/Male to DSUB-37/Female RS449 Conversion cable Length: 30 cm	Used in Loop-AM3440-6V36A-G and Loop-AM3440-6R449A-G plug-in cards

Y-Box (All Y-Box are RoHS compliant)

Loop-VV-B-G	1 for 1 protection Y-Box with BNC connectors (4-E1)	Used with 4E1
Loop-VV-R-G	1 for 1 protection Y-Box with RJ48C connectors (16-E1)	Used with 4E1
Loop-VV-T-G	1 for 1 protection Y-Box with RJ48C connectors (16-T1)	Used with 4T1

Blank Panels(All blank panels are RoHS compliant)

30.000333.A00-G	Blank Panel for Power Supply Slot (flat)	For AM3440-A only
30.001257.A00-G	Blank Panel for Power Supply Slot (flat)	For use in AM3440-B/C
30.000349.A00-G	Blank Panel for Controller Slot (flat)	For use in AM3440-A/B/C chassis
30.000335.A00-G	Blank Panel for mini Slot A-D (flat)	For use in AM3440-A/B/C chassis
30.000331.A00-G	Blank Panel for Slot 1-12 (flat)	For use in AM3440-A/B/C chassis
30.001028.A00-G	Blank Panel for Power Slot (u-shape)	For AM3440-A only
30.001029.A00-G	Blank Panel for Controller (u-shape)	For use in AM3440-A/B/C chassis

30.001030.A00-G	Blank Panel for mini Slot A-D (u-shape)	For use in AM3440-A/B/C chassis
30.001027.A00-G	Blank Panel for Slot 1-12 (u-shape)	For use in AM3440-A/B/C chassis

SFP Optical Modules

Please place your order using the 5-digit alphanumeric codes listed in the separate SFP Optical Module Brochure.

Feature Activation License

Loop-AM3440-ERING	Feature Activation License for AM3440 CPU card to support framed E1 PDH-Ring function	Used with 4E1, M4E75, M4E120 and FOM
Loop-AM3440-TRING	Feature Activation License for AM3440 CPU card to support framed T1 PDH-Ring function	Used with 4T1
Loop-AM3440-iXC	Feature Activation License for AM3440 CPU card to support iXC3440 Craft GUI Mapping Tool.	Used with Loop-iXC3440 Software
Loop-AM3440-RADIUSCL	Feature Activation License for AM3440 CPU card to support RADIUS checking console login	

Loop-iXC3440 software covers most of AM3440 plug-in cards. Below is the list of cards currently supported by Loop-iXC3440.

Mini Plug-in Module	Description	Note
E1	1-channel E1 plug-in card	
T1	1-channel T1 plug-in card	
MQE1	Mini Quad E1 plug-in card	
RT	2-LAN ports/32 WAN port Router/Bridge plug-in card	
RTA	2-LAN ports/64 WAN port Router/Bridge plug-in card	
FOM	Mini Fiber Optical plug-in card	
TS	3-channel Terminal Server plug-in card	
Q2EM	Quad 2 wire E&M voice plug-in card	
Q4EM	Quad 4 wire E&M voice plug-in card	
QFXO	Quad FXO voice plug-in card	
QFXS	Quad FXS voice plug-in card	
1X21	1-channel X.21 plug-in card	
1RS232	1-channel RS232 plug-in card	
1V35	1-channel V.35 plug-in card	
1E530	1-channel EIA530 plug-in card	
1OCUDP	1-channel OCU-DP plug-in card	
ECA	Echo Cancellation plug-in card	
ABRA	Analog Bridge plug-in card	
M1C37	Mini 1-channel C37.94 plug-in card	
Single Slot Plug-in Module	Description	Note
8UDTEA	8-port universal data interface plug-in card	
3E1	3-channel E1 plug-in card	
TDMoE	TDMoE plug-in module	
QE1	4-channel E1 plug-in card	
QT1	4-channel T1 plug-in card	
2GH	2-channel G.SHDSL plug-in card	
4GH	4-channel G.SHDSL plug-in card	
8CD	8-channel G.703 plug-in card	
8DC	8-channel dry contact plug-in card	
1C37	1-channel C37.94 plug-in card	
4C37	4-channel C37.94 plug-in card	
OCUDP	8-channel OCU-DP plug-in card	
1FOM	Fiber Optical plug-in card	
8RS232	8-port RS232 with X.50 sub-rate plug-in card	
6RS232A	6-port RS232 with V.110 encoding plug-in card	
8DBRA	8-channel data bridge plug-in card	
RTB	8-LAN ports/64 WAN ports router/bridge plug-in card	
CONF	Conference plug-in card	

8EM	8-channel 2W/4W E&M plug-in card	
12FXS	12-channel FXS plug-in card	
12FXO	12-channel FXO plug-in card	
12MAG	12-channel magneto plug-in card	
Dual Slot Plug-in Module	Description	Note
6X21A	6-channel X.21 plug-in card	
6V35A	6-channel V.35 plug-in card	
6V36A	6-channel V.36 plug-in card	
6E530A	6-channel EIA530 plug-in card	
6RS449A	6-channel RS449 plug-in card	

For 4E1 and 3E1 cards

■ Where **cc** is used to select connector:

cc =	Description	Note
RJ	RJ48C connector	
BNC	BNC connector	

For FOM and 1FOMA card

■ Where **opt** is used to select optical module type (All optical modules are RoHS compliant):

opt =	Description	Note
SAA	Single optical module with dual uni-directional fiber, 1310 nm, SC optical connector, 30 km - S1.1	Use dual fiber Units delivered ITU-T G.957 application code
SBB	Single optical module with dual uni-directional fiber, 1310 nm, SC optical connector, 50 km - L1.1	
SCC	Single optical module with dual uni-directional fiber, 1310 nm, FC optical connector, 30 km - S1.1	
SDD	Single optical module with dual uni-directional fiber, 1550 nm, SC optical connector, 20 km - S1.2	
SEE	Single optical module with dual uni-directional fiber, 1550 nm, SC optical connector, 100 km - L1.2	
SSM	Single optical module with single bi-directional fiber (master), 1310 nm transmit and 1550 receive, SC optical connector, 30 km - S1.1/ S1.2	1310 nm from master to slave Order SSM to use with SSS Use 1 fiber ITU-T G.957 application code
SSS	Single optical module with single bi-directional fiber (slave), 1310 nm receive and 1550 transmit, SC optical connector, 30 km - S1.1/ S1.2	1550 nm from slave to master Order SSS to use with SSM Use 1 fiber ITU-T G.957 application code

Note: For other special optical modules, please contact your nearest Loop sales representative.

For 8UDTEA card

■ Where **opm** is to select 8UDTEA functions:

opm	Description
DCE	Support RS232/RS422/RS485 DCE interface which is software configurable
TS	Support Terminal Server Function and DCE
OMNI	Support Omnibus Function and DCE
CPT	Support Clock Pass Through function and DCE
TSOMNI	Support Terminal Server, Omnibus Function and DCE
HD	Support RS232/RS422/RS485 DCE interface with Full- and Half-Duplex modes
TSHD	Support Terminal Server Function and DCE with Full- and Half-Duplex modes
OMNIHD	Support Omnibus Function and DCE with Full- and Half-Duplex modes
TSOMNIHD	Support Terminal Server, Omnibus Function and DCE with Full- and Half-Duplex modes
Feature Activation License	Description
Loop-AM3440-8UDTEA-UPGR-TS	Feature Activation License for AM3440 8UDTE card to support Terminal Server function
Loop-AM3440-8UDTEA-UPGR- OMNI	Feature Activation License for AM3440 8UDTE card to support Omnibus function
Loop-AM3440-8UDTEA-UPGR-CPT	Feature Activation License for AM3440 8UDTE card to support Clock Pass Through function
Loop-AM3440-8UDTEA-UPGR-TSOMNI	Feature Activation License for AM3440 8UDTE card to support Terminal Server function and Omnibus function

Loop-AM3440-8UDTEA-UPGR-HD	Feature Activation License for AM3440 8UDTE card to support Full- and Half-Duplex modes
Loop-AM3440-8UDTEA-UPGR-TSHD	Feature Activation License for AM3440 8UDTE card to support Terminal Server function with Full- and Half-Duplex modes
Loop-AM3440-8UDTEA-UPGR-OMNI HD	Feature Activation License for AM3440 8UDTE card to support Omnibus function with Full- and Half-Duplex modes
Loop-AM3440-8UDTEA-UPGR-TSOM NIHD	Feature Activation License for AM3440 8UDTE card to support Terminal Server function and Omnibus function with Full- and Half-Duplex modes

For Quad E&M (type A) card:

■ Where **wr** is used to select wire type:

wr =	Description	Note
2w	2 wire	
4w	4 wire	

■ Where **m** is used to select QEM card signaling side (must select one):

m =	Description	Note
B	B (carrier side) connects to A side.	
A	A (exchange side) connects to B side. A side M lead to B side M lead, A side E lead to B side E lead.	

■ Where **n** is used to select QEM card signaling type (must select one):

n =	Description	Note
O	For voice transmission only.	Circuit Type doesn't matter.
1	Type I (Original) E&M Signaling Circuit	M lead provides discharge for the A side.
2	Type II Circuit. This design attempts to reduce ground noise by adding two leads: SB (Signal to Battery) and SG (Signal to Ground)	Reduced ground noise. Ground current is eliminated at the cost of two more wires per circuit.
3	Type III Circuit. The SG lead serves as a discharge for the M lead. Reduces delay caused by combination of (a) low current electronic detectors, and (b) long runs of the E and M leads.	Type III is rare because ground currents on the E return would cause noise
4	Type IV Circuit. Based on the Type 2 circuit. This E&M circuit provides symmetry.	
5	Type V Circuit. For applications where ground noise is not an issue. Based on the Type 2 circuit.	

For voice card (8-channel 2W/4W E&M, QFXS/QFXO, and QFXSA):

■ Where **x** is used to select all of voice card signaling bits. If this option is not required, omit the **x** field in the ordering code.

	x =	Description	Note
8EM	E	Follows ETSI signaling bits	Jumper selectable for all channels
	A	Follows ANSI signaling bits	
	R	Reverse for ON-HOOK and OFF-HOOK signaling bits exchange	
	AR	Follows ANSI signaling bits and reverse bit	
	S	Follows customer's special bit or function assignment	
	S4	Disable the function of the test button	
QFXS/QFXO	S5	Forcing all ports to be OFF-HOOK when an alarm occurs	■ A and S are for QFXS/QFXO
	S6	Forcing all ports to be ON-HOOK when an alarm occurs	
	A	Follows ANSI signaling bits	■ T , AT , ST are for QFXO only
	S	Follows customer's special bits assignment	
	T	Trunk condition OFF-HOOK	
QFXSA	AT	Follows ANSI signaling bits w/ trunk condition OFF-HOOK	■ This option applies to controller version v8.36.XX and before.
	ST	Follows customer's special bits assignment w/ trunk condition OFF-HOOK	
	A	follows ANSI signaling bits	
	S	follows customer's special bits assignment	

			■ If this option is not required, omit the x field in the ordering code.
--	--	--	---

Note:

- For S (customer's special bit), please contact your nearest Loop sales representative.
- If x is not selected from table above, the default setting for signaling bits is ETSI and for trunk condition is ON-HOOK.

For 12/24-channel FXS card:

■ Where **sn** is used to select special function. If this option is not required, omit the **sn** field in the ordering code.

sn =	Description	Note
sn = omit	FXS Loop Feed = -48 Vdc with 25 mA current limit; alarm tone enable; normal ring	
S1	FXS Loop Feed = -48 Vdc with 35 mA current limit	
S4	Remove alarm tone	
S5	Double ring tone transmit	

Note: For sn (special function), please contact your nearest Loop sales representative.

For 12/24-channel FXS and QFXS card:

■ Where **pt** is used to select the following functions.

pt=	Description	Note
PWR	For AM3440-A with -48Vdc (SD, S5), or -125Vdc (SD125) power modules For AM3440-B/C with -48Vdc (SDB), or AC (SAB) power modules	
PWRIE1613	For AM3440-A with -48Vdc (S5) power complied with IEEE1613 standard For AM3440-C with -48Vdc (SDB) power complied with IEEE1613 standard	For AM3440-A/C
24	For AM3440-A with -24Vdc (S524) power module	Only for 12/24-channel FXS

For QFXSA card:

■ Where **pt** is used to select the following functions.

pt=	Description	Note
PWR	Complied with ±48 Vdc (SDB) and AC (SAB) power modules	

For Magneto Card:

■ Where **x** is used to select version type:

x=	Description	Note
16	16 Hz ring generator	20 Hz is the general setting for all MAG cards. For special settings (16, 25, 50), please specify your need by filling in the x option.
20	20 Hz ring generator	
25	25 Hz ring generator	
50	50 Hz ring generator	

For C37.94 Card:

■ Where **LSFOM** is to select **LS-Fiber Optical Module** option, each module has 5 letters.

LSFOM	Description										Notes
	Mode		Data Rate		Wave Length		Distance		Connector		
Code	Code	Description	Code	Description	Code	Description	Code	Description	Code	Description	
ZHHTT	Z	Multi-mode	H	155 M	H	820nm	T	2km	T	ST connector	1 * 8 Separate transceiver & receiver
QHATT	Q	Multi-mode	H	155 M	A	850nm	T	2km	T	ST connector	1 * 9
NFB3T	N	Single mode	F	125 M	B	1310nm	3	30km	T	ST connector	
QFBTT	Q	Multi-mode	F	125 M	B	1310nm	T	2km	T	ST connector	
NHC2S	N	Single mode	H	155 M	C	1550nm	2	20km	S	SC connector	

NHCUS	N	Single mode	H	155 M	C	1550nm	U	100km	S	SC connector	
-------	---	-------------	---	-------	---	--------	---	-------	---	--------------	--

For TDMoE:

SFP Optical/Electrical Module Plug-in option, please go to SFP Optical Module Brochure for detail.

For Firmware Upgrade:**Firmware Upgrade**

Loop-AM3440-card-FWUPGR	Firmware Upgrade and Warranty Renewal. The Customer whose warranty has lapsed or desire to have a firmware upgrade can purchase this option. This will upgrade the firmware to the most current version and provide an additional 12 months of support.	For available card types, please refer to the table below for detail information.
-------------------------	---	---

■ Where card is used to select card type:

card=	Description	Note
CCA	CPU card	
M4E	Mini quad E1 card	
4E1	Quad E1 card Available for software version 3.02.01 or newer versions.	
4T1	Quad T1 card Available for software version 3.02.01 or newer versions.	
RTA	RTA card Available for software version 2.05.01 or newer versions.	
RTB	RTB card Available for software version 1.04.01 or newer versions.	
3E1	3-port E1 card Available for CHJ only and software version 1.02.01 or newer versions.	
3T1	3-port T1 card Available for CHJ and software version 8.38.01 or newer versions.	
2GH	2-port G.SHDSL card Available for software version 1.08.01 or newer versions.	
4GH	4-port G.SHDSL card Available for hardware version G and software version 2.07.02 or newer versions.	
TDMoE	TDMoE card	
12/24FXS	12/24 FXS card Available for hardware version L and software version 3.01.01 or newer versions.	
12/24FXO	12/24 FXO card Available for hardware version G and software version 2.01.01 or newer versions.	
8E&M	8-port E&M card Available for software version 1.03.01 or newer versions.	
8RS232	8 RS232 card Available for software version 3.02.01 or newer versions.	
8DBRA	8 Data Bridge A card	
Conference	Conference card Available for hardware version C and software version 1.02.01 or newer versions.	
6V.36A	6-port V.36 card Available for hardware version B and software version 2.03.01 or newer versions.	
6V.35A	6-port V.35 card Available for hardware version E and software version 2.03.01 or newer versions.	
X.21/V.11	6-port X.21 card Available for hardware version B and software version 2.03.01 or newer versions.	

card=	Description	Note
6EIA530/6RS449	6-port EIA530/RS449 card Available for hardware version B and software version 2.03.01 or newer versions.	

For Firmware Conversion:**Firmware Conversion**

Loop-AM3440-card-FWCOVT	Firmware conversion for AM3440 plug-in cards to be compatible with O9550. The plug-in cards for AM3440 could be converted to work on the O9550 after firmware conversion. This will upgrade the firmware to the most current version for O9550 and provide an additional 12 months of support.	For available card types, please refer to the table below for detail information.
-------------------------	--	---

Note: Once the plug-in card is converted to work on the O9550, it will no longer work on the AM3440.

■ Where card is used to select card type:

card=	Description	Note
M4E	Mini quad E1 card	
4E1	Quad E1 card Available for software version 3.02.01 or newer versions.	
4T1	Quad T1 card Available for software version 3.02.01 or newer versions.	
RTA	RTA card Available for software version 2.05.01 or newer versions.	
RTB	RTB card Available for software version 1.04.01 or newer versions.	
3E1	3-port E1 card Available for CHJ only and software version 1.02.01 or newer versions.	
2GH	2-port G.SHDSL card Available for software version 1.08.01 or newer versions.	
4GH	4-port G.SHDSL card Available for hardware version G and software version 2.07.02 or newer versions.	
TDMoE	TDMoE card	
12/24FXS	12/24 FXS card Available for hardware version L and software version 3.01.01 or newer versions.	
12/24FXO	12/24 FXO card Available for hardware version G and software version 2.01.01 or newer versions.	
8E&M	8-port E&M card Available for software version 1.03.01 or newer versions.	
8RS232	8 RS232 card Available for software version 3.02.01 or newer versions.	
8DBRA	8 Data Bridge A card	
Conference	Conference card Available for hardware version C and software version 1.02.01 or newer versions.	
6V.36A	6-port V.36 card Available for hardware version B and software version 2.03.01 or newer versions.	
6V.35A	6-port V.35 card Available for hardware version E and software version 2.03.01 or newer versions.	
X.21/V.11	6-port X.21 card Available for hardware version B and software version 2.03.01 or newer versions.	
6EIA530/6RS449	6-port EIA530/RS449 card Available for hardware version B and software version 2.03.01 or newer versions.	

The list shown below is the discontinued chassis and plug in cards. For detail info, please contact your nearest Loop sales representative.

Model	Description	Note
Loop-AM3440-CH	32 Mb/s cross-connect capacity backplane t without CPU, power and plug-in cards	AM3440-CH type Chassis
Loop-AM3440-CHA	5U, Wideband Main Unit without CPU, power and plug-in cards,	AM3440-A type Chassis
Loop-AM3440-CHC	3U, Wideband Main Unit without CPU, power and plug-in cards,	AM3440-C type Chassis
Loop-AM3440-LCD	External LCD and Keypad	
Loop-AM3440-6U	6-channel IDSL plug-in card	
Loop-AM3440-10U	10-channel IDSL plug-in card	
Loop-AM3440-3H	3-channel MDSL plug-in card (2Mb for 3-channel)	
Loop-AM3440-3HA	3-channel MDSL plug-in card	AM3440-A/B/C only
Loop-AM3440-3HAL	3-channel 6Mbits MDSL plug-in module with line power source	AM3440-A only Factory installed option available with -48 Vdc powered chassis only.
Loop-AM3440-5RS232	5-channel RS232 plug-in card with X.50 substrate plug-in module	
Loop-AM3440-AFRE	E1 Frame Relay to ATM inter-working or Frame Relay to Frame Relay concentration plug-in card	
Loop-AM3440-AFRT	T1 Frame Relay to ATM inter-working or Frame Relay to Frame Relay concentration plug-in card	

Ordering Examples

Example 1:

Loop-AM3440-CHAJ, Loop-AM3440-CCA-E, Loop-AM3440-S5, Loop-AM3440-4E1-RJ, Loop-AM3440-8RS232 Loop-AM3440-FAN:

For AM3440-A type chassis with a CPU card(E1 external clock), a single -48 Vdc 150W power module, 4-channel E1 interface with RJ48C connectors, one 8RS232 plug-in module and fan tray.

Example 2:

Loop-AM3440-CHB, Loop-AM3440-CCA-E, Loop-AM3440-SDB, Loop-AM3440-M4E75, Loop-AM3440-8CD:

For AM3440-B type chassis with a CPU card(E1 external clock), a single -48 Vdc 100W power module, one Mini Quad E1 interface with 75 ohm and one 8-channel G.703 interface at 64 Kbps data rate.

Example 3:

Loop-AM3440-CHCJ, Loop-AM3440-CCA-E, Loop-AM3440-SDB, Loop-AM3440-M4E120, Loop-AM3440-2GH:

For AM3440-C type chassis with a CPU card(E1 external clock), a single -48 Vdc 100W power module, one Mini Quad E1 interface with 120 ohm and one 2-channel G.SHDSL plug-in module (2 pair).

Loop-AM3440 Access DCS-MUX Product Specifications

Network Line Interface - T1

Line Rate	1.544 Mbps \pm 32ppm	Output Signal	DSX1w/0, -7.5, -15 dB LBO
Line Code	AMI or B8ZS	Framing	D4/ESF (selectable)
Input Signal	DSX-1 0 dB to -30 dB w/ALBO	Connector	RJ48C

Network Line Interface - E1

Line Rate	2.048 Mbps \pm 50 ppm	Framing	ITU G.704
Line Code	AMI or HDB3	Connector	BNC/RJ48C
Input Signal	ITU G.703	Electrical	75 ohm Coax/120 ohm twisted pair
Output Signal	ITU G.703	Jitter	ITU G.823

Network Line Interface - Mini 4E1

Line Rate	2.048 Mbps \pm 50 ppm	Framing	ITU G.704
Line Code	AMI or HDB3	Connector	DB25S
Input Signal	ITU G.703	Electrical	75 ohm Coax/120 ohm twisted pair
Output Signal	ITU G.703	Jitter	ITU G.823

Network Line Interface - 3E1

Line Rate	2.048 Mbps \pm 50 ppm	Framing	ITU G.704
Line Code	AMI or HDB3	Connector	BNC/RJ48C
Input Signal	ITU G.703	Electrical	75 ohm Coax/120 ohm twisted pair
Output Signal	ITU G.703	Jitter	ITU G.823
Function	Support DS0-SNCP		

Network Line Interface - 3T1

Line Rate	1.544 Mbps \pm 32 ppm	Framing	D4/ESF
Line Code	AMI/B8ZS	Output Signal	DSX-1 w/0, -7.5, -15dB LBO
Input Signal	DSX-1 0dB to -30dB w/ALBO	Connector	RJ48C
Jitter	AT&T TR 62411	Pulse Template	AT&T TR 62411
Data Rate	N * (64) Kbps (n = 1 to 24)	Surge Protection	FCC Part 68 Sub Part D

Network Line Interface - 4E1

Line Rate	2.048 Mbps \pm 50 ppm	Framing	ITU G.704
Line Code	AMI or HDB3	Connector	BNC/RJ48C
Input Signal	ITU G.703	Electrical	75 ohm Coax/120 ohm twisted pair
Output Signal	ITU G.703	Jitter	ITU G.823

Network Line Interface - 4T1

Line Rate	1.544 Mbps \pm 32 ppm	Output Signal	DSX1w/0, -7.5, -15 dB LBO
Line Code	AMI or B8ZS	Framing	D4/ESF (selectable)
Input Signal	DSX-1 0 dB to -30 dB w/ALBO	Connector	RJ48C

ATM Frame Relay Network Line Interface (Discontinued)

Supporting Network Interworking (FRF.5) and service interworking (FRF.8).

Network Interface:

- T1 Module: *T1 ATM UNI*
FR (n x 64 Kbps, n=1 to 24)
- E1 Module: *E1 ATM UNI*
FR (n x 64 Kbps, n= 1 to 31)

Up to 31 logical FR channels can be concentrated/ de-concentrated to FR or ATM.

Service Ports:

- T1/FT1 interface: n x 64 Kbps, n=1 to 24
- E1/FE1 interface: n x 64 Kbps, n= 1 to 31

Support HDLC to FR

Support HDLC to ATM

Supporting FR to FR multiplexing.

Support up to 128 DLCIs for total of 31 FR interfaces.

Support up to 128 VCs.

Peak cell rate on DLCI basis.

Manufacturing disable/enable ATM scrambling for internal testing (E1 ATM only).
 AAL0 and AAL5 are supported in the ATM adaptation layer.
 Support VBR service.
 ANSI and ITU FR management protocols are supported.
 Flash memory software download through RS485.
 Only the PVC type of ATM/FR service is supported.
 , IEC 61850-3, IEEE 1613

Router Interface

Number of ports 2 LAN ports, Max. 32 WAN ports
 Physical Interface 10 BaseT x 1, 10/100 BaseT x 1
 Connector RJ45
 Routing protocol RIP-I, RIP-II
 Data Rates Channelized N x 64 Kbps up to T1/E1 capacity
 Supporting Protocols TCP/IP, PPP, HDLC

Router-A Interface

Number of ports 2 LAN ports, Max. 64 WAN ports, Each WAN port has data rate n x 64K bps, $1 \leq n \leq 32$ (≤ 4 Mbps for total of all 64 WAN ports)
 Physical Interface 10/100 BaseT x 2
 Connector RJ45
 Routing protocol RIP-I, RIP-II, OSPF, Static
 Supporting Protocols PPP (IPCP/BCP), MLPPP, HDLC, Frame Relay, and Cisco compatible HDLC, NAT/NAPT, DHCP
 Diagnostic Ping, Trace route
 QoS Rate limit

Router-B Interface

Number of ports 8 LAN ports, Max. 64 WAN ports. Each WAN port has data rate n x 64K bps, $1 \leq n \leq 32$ (≤ 8 Mbps for total of all 64 WAN ports)
 Physical Interface 10/100 BaseT x 8
 Connector RJ45
 Routing protocol RIP-I, RIP-II, OSPF, Static
 Supporting Protocols PPP (IPCP/BCP), MLPPP, HDLC, Frame Relay, and Cisco compatible HDLC, NAT/NAPT, DHCP
 Diagnostic Ping, Trace route
 QoS Rate limit
 VLAN Q-in-Q IEEE 802.1ad

Terminal Server Interface

Connector One DB-44 conversion cable to one DB-9 and two DB-25 connectors
 Ports One Async RS232 port, two Async/Sync RS232 ports.
 The two Async/Sync ports can be configured independently as Asynchronous or Synchronous.
 Data Rate Async: 1.2kbps, 2.4kbps, 4.8kbps, 9.6kbps, 19.2kbps, 38.4kbps
 Sync: 64 kbps
 Layer 2 Protocol of RS232 Async raw data
 Layer 2 Protocol of RS232 Sync PPP
 Terminal Server Function Supports Telnet
 Router Function RIP-I, RIP-II, Static Route

Fiber Optical Interface (FOM, 1FOM-A)

Source	MLM Laser	Line Code	Scrambled NRZ
Wavelength	1310 \pm 50 nm, 1550 \pm 40 nm	Detector Type	PIN-FET
50 Km reach		Protection	Optional 1+1 APS

NOTE: Longer or shorter, 15 to 120Km, on special order.

Optical Module	Fiber Direction	Wavelength (nm)	Connector	Distance (km)
SAA	Dual uni-directional	1310	SC (Subscriber Connector)	30
SBB	Dual uni-directional	1310	SC (Subscriber Connector)	50

SCC	Dual uni-directional	1310	FC (Fiber Connector)	30
SDD	Dual uni-directional	1550	SC (Subscriber Connector)	20
SEE	Dual uni-directional	1550	SC (Subscriber Connector)	100
SSM	Single bi-directional (master)	1310/1550	SC (Subscriber Connector)	30
SSS	Single bi-directional (slave)	1550/1310	SC (Subscriber Connector)	30

NOTE: Other fiber optical options available on special order

G.SHDSL Line Interface

Number of ports	2 or 4
Line Rate for 4-channel G.shdsl	n x 64Kbps (n= 3 to 31)
Line Rate for 2-channel G.shdsl	n x 64Kbps (n= 3 to 15)
Line Code	16-TCPAM, full duplex with adaptive echo cancellation
Connector	RJ45
Electrical	Unconditioned 19-26 AWG twisted pair
Sealing current	Max. 20 MA source current
Clock Source	From System, Line
Diagnostic Test	G.SHDSL Loopback: To-LINE, To-bus BERT: QRSS

DTE Interface (X.21)

Data Port	Up to six 6-port DTE X.21 card; 1-port DTE X.21 card
Data Rate	56 or 64 Kbps, n = 1 to 32
Connector	DB15S

DTE Interface (V.35)

Data Port	Up to six 6-port DTE V.35 card; ; 1-port V.35 card
Data Rate	56 or 64 Kbps, n = 1 to 32
Connector	DB25S (optional conversion cable DB25S to M34 connector)

DTE Interface (V.36)

Data Port	Up to six 6-port DTE V.36 card
Data Rate	56 or 64 Kbps, n = 1 to 32
Connector	DB25S (optional conversion cable DB25S to DB37 connector)

DTE Interface (EIA530/RS449)

Data Port	Up to six 6-port EIA530 DTE card; 1-port EIA530 card
Data Rate	56 or 64 Kbps, n = 1 to 32
Connector	DB25S (optional conversion cable DB25S male to DB37 female connector for RS449)

DTE Interface (RS232/V.24)

Data Port	1-port RE232 card
Data Rate	56 or 64 Kbps *n, n=1 - 2
Mapping	Any sequential time slots

DTE Interface (RS232-X.50 mux. 8-port)

Data Port	Up to twelve 8-port RS232 cards							
MUX	Maximum 5 substrate port per 64K bps							
Data Rate	Asynchronous	Mux mode	0.6K, 1.2K, 2.4K, 4.8K, 9.6K					
		Independent mode	0.6K, 1.2K, 2.4K, 4.8K, 9.6K, 19.2K, 38.4K					
	Synchronous	Mux mode	0.6K, 1.2K, 2.4K, 4.8K, 9.6K					
		Independent mode	0.6K, 1.2K, 2.4K, 4.8K, 9.6K, 19.2K, 38.4K, 48K, 64K					
Card Type	Port Number							
	1	2	3	4	5	6	7	8
Eight RJ48	Async/ Sync ^{Note 1}	Async/ Sync ^{Note 1}	Async	Async/ Sync ^{Note 1}	Async/ Sync ^{Note 1}	Async	Async	Async
	Two DB44 + Two RJ48	Async/Sync	Async/Sync	Async	Async/Sync	Async/Sync	Async	Async
Connector	Eight RJ48 (port 1 to port 8) DB44 (port1,port2,port3), DB44 (port4,port5,port6), RJ48 (port7) and RJ48(port8)							
Conversion Cable	A three-into-one conversion cable adapts the DB44 connector to 3 connectors (one DB9S and two DB25S)							
Electrical	RS232 Interface, DCE							

Note 1: Sync- with rate up to 19.2 Kbps achieved by oversampling at 64 Kbps

DTE Interface (RS232 with V.110 encoding, 6-port)

Data Port	Up to 6 port					
MUX	Maximum 6 subrate port / 64Kbps					
Protocol	Supports V.110					
Data Rate	Asynchronous	Mux mode	0.6K, 1.2K, 2.4K, 4.8K, 9.6K, 19.2K			
		Independent mode	0.6K, 1.2K, 2.4K, 4.8K, 9.6K, 19.2K, 38.4K			
	Synchronous	Mux mode	0.6K, 1.2K, 2.4K, 4.8K, 9.6K, 19.2K,			
		Independent mode	0.6K, 1.2K, 2.4K, 4.8K, 9.6K, 19.2K, 38.4K, 48K, 64K			
Card Type	Port Number					
	1	2	3	4	5	6
RJ48	Async	Async	Async	Async	Async	Async
DB44	Sync/Async	Sync/Async	Async	Sync/Async	Sync/Async	Async
Connector	DB44 (port1,port2,port3) DB44 (port4,port5,port6) or RJ48 (port 1 to Port 6 are 6RJ48)					
Alarm	Remote Alarm					
	RTS Loss					
Loopback	To-DTE					
	To-DS1 (To Line)					
Electrical	RS232 Interface, DCE					

DTE Interface (Data Bridge Card)

Data Port	Up to twelve 8-port data bridge card (each card supports up to 120 DS0 for data bridge)	
Feature	20 end points per multi-drop circuit to into a logical ended 56K or 64K channel	
	Per port supports bridge function to N remote Trib. Site (N=1~20)	
Data Rate	Asynchronous	Support to receive 1200 to 19200 bps asynchronous data via oversampling channel
Bridge function	one port with one DS-0 to many (Maximum is 20 for remote Tributary data box)	
	20 drops for each DS0 to remote Tributary data box and 8 ports RS232 shared the 128 channels.	

8UDTEA (RS232/RS422/RS485) universal data Interface

Data Port	8 port UDTE card
ASYNC Data Rate	200,300, 600, 1200, 2400, 4800, 9600, 19.2K, 38.4K, 57.6K, 115.2K, 128K bps by oversampling
Connector	RJ48C
Interface	DCE only
Flow Control (RS232 only)	Hardware (RTS and DTR), none
Loopback function	DTE to DTE loopback DTE to Line loopback

1 Port OCU-DP Interface Card

Ports	1 Ports card
Operating Modes	4-wire DDS or switched 56
Dedicated Rates	SYNC: 2.4, 4.8, 9.6, 19.2, 56 and 64k clear channel
	Conforms with AT&T Pub 41458
OCU DP Operation	Conforms with AT&T 62310 and ANSI T1.410
Local Loop Signal	Bipolar Return to zero, 50% duty cycle
Transmit Amplitude	+/- 1.5 V (+/- 10%) peak, all rates except 9.6k +/- 0.75 V (+/- 10%) peak at 9.6k
Transmit Source Impedance	135 Ohms +/- 20%
Receive Input Impedance	135 Ohms +/- 20%
Receiver Sensitivity/ Dynamic Range	0 to 43 dB loop loss at 72K & 56K 0 to 34 all other rates
Physical Interface	4-wire loop interface RJ45 modular connector
Network to Loop Test Codes	Zero code suppression, Idle, out of service, UMC, MOS, TC, ABS, channel loopback, OCU and DSU loop-back, latch loop-back (TIP, LSC, LBE, FEV)
Loop to Network Test Codes	Zero code suppression, Idle

8 Port OCU-DP Interface Card

Ports	8 Ports for each card
Line Status Indicator	Per Port 1 dual color LED; Red for LOS, Green for SYNC
Network Connector	RJ48S
Electrical Network Connection	Tip/Ring and Tip1/Ring1
Transmit Source Impedance	135 Ohms +/-20%
Receive Input Impedance	135 Ohms +/-20%
Receiver Sensitivity	0 to 43 dB loop loss at 72K & 56K
Dynamic Range	0 to 34 all other rates Automatic line equalization
Pulse Amplitude	+/- 1.5V (+/-10%) peak, all rates except 9.6K +/-0.75 (+/-10%) peak at 9.6K
Sealing Current	Bipolar Return to zero, 50 duty cycle
Operating Modes	Typically 16mA DC 4-wire DDS
Circuit Rates	Switched 56 support is optional SYNC: 2.4, 4.8, 9.6, 19.2, 56, 72 kbps (64k) clear channel Conforms with AT&T Pub 41458
Encoding and decoding rules	Use bipolar violation to indicate control information: Idle, out of service, Zero Substitution using unframed loops
Maintenance control	DSU Non-latching loop-back code (for 2.4, 4.8, 9.6, 19.2, 56k circuit rate) DSU Latching loop-back (TIP, LSC, LBE, FEV) code (for 72k circuit rate)
	Machine maintenance OCU/DP card operation: Payload loopback OCU loopback Local loopback Bi-directional loopback V.54 remote loopback code Custom defined remote loopback code BERT test support all ones, all zeros, 2047,511,63 pattern.
Fault and Performance	LOS, OOS, ES, SES and UAS alarm. Current, last 96 registry and 7 days performance storage.
Environment	Operating: 0-50 °C Storage: -25-75 °C Humidity: Up to 90% RH non-condensing
Specification Standard	ANSI T1.410; AT&T Pub 62319, AT&T Pub 62310, ITU-T V.54

Co-directional Interface

Interface	ITU G.703 64 Kbps co-directional interface
Connector	120ohm, RJ48
Line Distance	Up to 500 meters
Loopback	DTE Payload Loopback, Local Loopback

C37.94 Interface**820nm**

Source	LED	Optical Line Rate	2.048Mbps
Wavelength	820nm	Line Code	NRZ
Connector	ST	Fiber Type	Multi-mode
Optical Power	-12dBm		

850nm

Source	VCSEL	Optical Line Rate	2.048Mbps
Wavelength	850nm	Line Code	NRZ
Connector	ST Duplex Plastic Connector	Fiber Type	Multi-mode
Optical Power	-5.5dBm		

1310nm

Source	LED	Optical Line Rate	2.048Mbps
Wavelength	1310nm	Line Code	NRZ
Connector	ST	Fiber Type	Single & Multiple
Optical Power	-14dBm		

1550nm

Source	LED	Optical Line Rate	2.048Mbps
Wavelength	1550nm	Line Code	NRZ
Connector	SC	Fiber Type	Single & Multiple
Optical Power	-14dBm		

Dry Contact Interface**Inputs -**

8-channel	2-port per card, 4-pair per port
Connector	RJ45
Internal Resistance	1 K
Activation Current	3 ma
Deactivation Current	1.5 ma
Allowable Current	4 ma

Outputs -

8-channel	8-pair per card
Connector	Screw type
Initial Insulation Resistance	Min. 100M ohm (at 500 Vdc)
Max. Current	5A
Max. Voltage	100 Vdc, 250 Vac

Dry Contact Type B Interface**Inputs -**

8-channel	2-port per card, 4-pair per port
Connector	RJ45
Internal Resistance	100 K
Activation Current	3 ma
Deactivation Current	1.5 ma
Allowable Current	4 ma

Outputs -

8-channel	8-pair per card
Connector	Screw type
Initial Insulation Resistance	Min. 100M ohm (at 500 Vdc)
Max. Current	2A
Max. Voltage	220 Vdc, 250 Vac

Voice Card (Q2EM, Q4EM)

Connector	One 44-pin connector, adapter cable included for 4 RJ45 connectors.
Power	110-220Vac, -24Vdc, -48Vdc
Alarm Conditioning	CGA busy after 2.5 seconds of LOS, LOF
Encoding	A-law or μ -law, user selectable as a group
Impedance	Balanced 600 Ω or 900 Ω
Longitudinal Rejection	55 dB
Longitudinal Max	2.5 volts peak AC
Longitudinal Balance	> 63dB
Gain Adjustment	0, -3, -6 or +7 dB for transmit (D/A) gain
(all port settings)	0, -3, -6 or +10 dB for receive (A/D) gain

Signal/Distortion	> 46dB with 1004 Hz, 0dBm input
Frequency Response	+0.5 to -0.9 dB from 300 to 3400 Hz
Idle Channel Noise	< 20 dBmC0
Signaling	Type 1, Type 2, Type 3, Type 4, Type 5, and also TO (Transmit Only)
Modems	Full compatibility with V.90 modems
E Lead Sensor Current	0.25 mA (minimum)
Signaling Bit Setting	Jump Selectable
Operational Temp.	0°C to +50°C
Relative Humidity	0% to 95%

- All in-band signaling tones are carried transparently by the digitizing process.
- Customer is responsible for in-band signaling compatibility between a telephone and a switch, or between a PBX and a switch.

Voice Card (QEMA)

Connector	One 44-pin connector, adapter cable included for 4 RJ45 connectors.
Power	110-220Vac, \pm 48Vdc
Alarm Conditioning	CGA busy after 2.5 seconds of LOS, LOF
Encoding	A-law or μ -law, user selectable as a group
Impedance	Balanced 600 or 900
Gain Adjustment (Per-port setting)	-10 to +7 dB / 0.1dB step for transmit (D/A) gain
Gain Variation	\pm 0.5 dB at 0 dBm0 input
Frequency Response	\pm 0.5 dB at 0 dBm0 input
I/O Power Range	A/D Analog input level: -66 dBm (0.00039 Vrms) ~ + 3 dBm (1.09 Vrms) D/A Analog output level: -66 dBm (0.00039 Vrms) ~ + 4 dBm (1.22 Vrms)
Longitudinal Balance	> 63dB
Longitudinal Conversion Loss	> 46dB
Total Distortion	> 35 dB at 0 dBm0 input
Idle Channel Noise	< -65 dBm0p
Wire Mode	2 wire and 4 wire
Signaling	Type I, Type II, Type III, Type IV, Type V, and TO (Transmission Only)
M Lead Output Current	18 mA (maximum)
E Lead Sensor Current	0.3 mA (minimum)
EM Type Setting	

Operational Temp.	Jump Selectable
Relative Humidity	0°C to +50°C
Carrier Connection	0% to 95%
	Side A and side B setup by Jump

All in-band signaling tones are carried transparently by the digitizing process.

Customer is responsible for in-band signaling compatibility between a telephone and a switch, or between a PBX and a switch.

Voice Card (8EM)

Connector	Eight RJ45
Alarm Conditioning	CGA busy after 2.5 seconds of LOS, LOF
Encoding	A-law or μ -law, user selectable together for all
Impedance	Balanced 600 or 900 ohms
Gain Adjustment (Per-port setting)	-16 to +7 dB / 0.1dB step for transmit (D/A) gain -16 to +14 dB / 0.1dB step for receive (A/D) gain
I/O Power Range	A/D Analog input level: -66 dBm (0.00039 Vrms) ~ + 3 dBm (1.09 Vrms) D/A Analog output level: -66 dBm (0.00039 Vrms) ~ + 4 dBm (1.22 Vrms)
Gain Variation	\pm 0.5 dB at 0 dBm0 input
Frequency Response	\pm 0.5 dB at 0 dBm0 input
Longitudinal Conversion Loss	> 46dB
Total Distortion	> 35 dB at 0 dBm0 input
Idle Noise	< -65 dBm0p
Carrier Connection	Side A (exchange side) and Side B (carrier side) setup by side switch
Idle Channel Noise	Max. -65 dBm0p
Wire Mode	2 wire and 4 wire (programmable)
Signaling	Type 1, Type 2, Type 3, Type 4, and Type 5, Transmit only (programmable)
Modems	Full compatibility with V.90 modems

- All in-band signaling tones are carried transparently by the digitizing process.
- Customer is responsible for in-band signaling compatibility between a telephone and a switch, or between a PBX and a switch.

Voice Card 12 MAG (Magneto)

Connector	RJ11 x 12
Alarm Conditioning	CGA busy after 2.5 seconds of LOS, LOF
Encoding	A-law or μ -law, user selectable together for all
Impedance	Balanced 600 or 900 ohms (for magneto telephone impedance)
Longitudinal Conversion Loss	> 46dB
Gain Adjustment	-21 to +10 dB / 0.1dB step transmit & receive
Signal/ Distortion	> 25dB with 1004 Hz, 0dBm input
Frequency Response	- 0.25 to -1 dB from 300 to 3400 Hz, coincide with ITU-T G.712
Idle Channel Noise	Max. -65 dBm0p

Signaling

Minimum Detectable Ringing Voltage	16 Vrms
Crank Detectable Across	L1 & L2 Mode (Tip and Ring), L1 & GND Mode(Tip and GND)
Crank Detected time	Valid crark: more than 250 ms
Ringing Generation	Invalid crark: less than 160 ms Voltage: 76 Vrms (sine wave) Frequency: 20Hz (with optional choices of 16, 25, 50 Hz)
Ring duration	Two optional modules are available for your choice: 1. 12MAG Normal operation: Ring duration depends on cranking time PLAR ON operation: when FXS pone off-hooked, the ring duration of the far-end magneto phone could be 0.5, 1.0, 2.0 or 4.0 sec 2. 12MAG-A Normal operation: Crank the phone for one time, and the ring duration of the far-end phone could be 0.7, 1.5 or 2.0 sec PLAR ON operation: when FXS phone off-hooked, the ring duration of the far-end magneto phone could be 0.7, 1.5 or 3.0 sec
Ringing Send Across	L1 & L2 Mode (Tip and Ring), L1 & GND Mode(Tip and GND)

- Signaling Turn Magneto Phone crank (Ringing across Tip and Ring or Tip and Ground)
 Signaling Bit A,B,C,D Programmable
- Signaling is carried transparently by the digitizing process.
 - Use Magneto card default setting for communications between magneto telephones
 - Use Magneto card PLAR mode setting for communications between a magneto telephone and a regular telephone

Echo Canceller Card

- Echo Cancellation 64ms uni-directional, 64ms bi-directional and 128ms uni-directional
 Channel Up to 64 channels
 Functions - one way or bi-direction cancellation from PCM bus to ECA card
 - E1/T1 multichannel echo cancellation
 PCM encoder/decoder Compatible with ITU-T G.711 A-law/Mu-law coding.
 LED Indicator Multi-color indication
 Compliant ITU-T G.165 and ITU-T G.168-2000 and 2002

Analog Bridge Card

- Analog Bridge Analog bridge card works with voice cards (E&M, Magneto, FXS and FXO*) supported by the AM3440 for analog voice modem application
- Architecture Master/Slave
 Group - Up to 8 groups. Each group has maximum 16 timeslots (2 DS0 for Master and 14 DS0 for Slave)
- Functions - Downstream 2 to many
 - Upstream many to 2 (only one active)
- PCM encoder/decoder Compatible with ITU-T G.711 A-law/Mu-law coding.

* Future Option

Conference Card**RS232 Interface**

Data Port	2-ports per card
ASYNC Data Rate	300, 600, 1.2K, 2.4K, 4.8K, 9.6K, 19.2K
SYNC	not supported
Connector	Two DB9, DCE, female

FXS Voice Interface

Connector	Two RJ11
Encoding	G.723
Longitudinal Conversion Loss	> 46dB
Cross Talk Measure	Max -70dBm0
Gain Adjustment	transmit (D/A) gain 0, +6dB receive (A/D) gain +6, 0, -6dB
Signal/ Distortion	> 25dB with 1004 Hz, 0dBm input
Idle Channel Noise	Max. -65 dBm0p
Loop Resistance	Max 1800 ohm
FXS Loop Feed	-48 Vdc with 25mA current limit per port
FXS Ringing	2 REN 20Hz 76 Vrms 2 sec on / 4 sec off for 1 min, or 1 sec on / 2 sec off for 30 sec (programmable)
Signaling	Loop Start, DTMF

E&M Voice Interface

Connector	Two RJ45
Encoding	G.723
Impedance	Balanced 600 ohms
Longitudinal Conversion Loss	> 46dB
Gain Adjustment	transmit (D/A) gain 0, +6dB receive (A/D) gain +6, 0, -6dB
Signal/Distortion	> 25dB with 1004 Hz, 0dBm input
Idle Channel Noise	Max. -65 dBm0p
Carrier Connection	Side A = exchange side, Side B = carrier side (Jumper selectable)
Phone line power+12V	Type P (Jumper enable)
Operation mode	Master, standard (Jumper selectable)
Wire Mode	4 wire
Signaling Type	Type 1, Type 4, and Type 5 (Jumper selectable)
EM Ringing	Single rainging for 5 sec only 2 sec on / 4 sec off for 1 min, or 1 sec on / 2 sec off for 30 sec (programmable)

Voice Card (QFXS, QFXO)

Quad FXS voice card (4 FXS per plug-in)	
Quad FXO voice card (4 FXO per plug-in)	
Connector	QFXS: 1, 2, 3, or 4 FXS per RJ11 connector, QFXO: 1, 2, 3, or 4 FXO per RJ11 connector
Power for QFXS	110-220Vac, -24Vdc or -48Vdc
Power for QFXO	110-220Vac, -24Vdc, and -48Vdc
Alarm Conditioning	CGA busy after 2.5 seconds of LOS, LOF
Encoding	A-law or μ -law, user selectable together for all
AC impedance	Balanced 600 or 900 ohms (selectable together for all)
Longitudinal Rejection	55 dB
Loss Adjustment	0, 3, 6, or 9 dB transmit & receive
Signal/ Distortion	> 46dB with 1004 Hz, 0dBm input
Frequency Response	- 0.25 to -1 dB from 300 to 3400 Hz
FXS Loop Feed	-48Vdc or -24Vdc with 25mA current limit per port Jumper Selectable: 25mA, 30mA, 35mA
FXO	Ringing REN 0.5B (AC) Detectable Ringing 25 Vrms Loop Resistance $\leq 1800 \Omega$ DC impedance > 1M Ω (ON-HOOK) DC impedance(OFF-HOOK) 235 Ω @ 25mA feed 90 Ω @ 100mA feed
FXS Ringing	Support 2 REN per port (1 REN = 6930 Ω + 8 μ F) 20 Hz, other frequencies: 16.7Hz, 25 Hz, 50Hz (Jump selectable) 78 Vrms (sine wave) (45 Vrms to 86 Vrms wide range by Resistor selectable) 2 sec on 4 sec off, or 1 sec on 2 sec off optional for PLAR
Metering Pulse	12KHz/ 16KHz <ul style="list-style-type: none"> Power: 10dBm Sensitivity: -27dBm (-21dBm to -45dBm by Resistor selectable)
Signaling	Loop Start, GND-Start, Metering Pulse (12KHz, 16KHz), DTMF, Dialing Pulse, PLAR, Battery Reverse (supports Line Reverse Signaling for Billing)
	<ul style="list-style-type: none"> All in-band signaling tones are carried transparently by the digitizing process. Customer is responsible for in-band signaling compatibility between a telephone and a switch, or between a PBX and a switch. -24Vdc power is for FXS PCB version C and up

Voice Card (QFXS TypeA)

Quad FXSA voice card (4 FXS per plug-in)	
Connector	1, 2, 3, or 4 FXS per RJ11 connector
Power	± 48 Vdc
Alarm Conditioning	CGA busy after 2.5 seconds of LOS, LOF
Encoding	A-law or μ -law, user selectable
AC impedance	Balanced 600 or 900 ohms (user selectable)
Longitudinal Rejection	55 dB
Gain Adjustment	-21 to +3 dB / 0.1 dB step for transmit (D/A) & receive (A/D) gain
Signal/ Distortion	> 46dB with 1004 Hz, 0dBm input
Frequency Response	- 0.25 to -1 dB from 300 to 3400 Hz
Loop Feed	± 48 Vdc with 25mA current limit per port Jumper Selectable: 25mA, 30mA, 35mA
Ringing	Support 2 REN per port (1 REN = 6930 Ω + 8 μ F) 16.7Hz, 20Hz, 25 Hz, 50Hz (user programmable) Default 78 Vrms (sine wave) (64 Vrms by Jumper setting) 2 sec on 4 sec off, or 1 sec on 2 sec off optional for PLAR (user programmable)
Metering Pulse	12KHz/ 16KHz (2.4Vrm/1Vrm user programmable)
Signaling	Loop Start (Metering Pulse, DTMF, Dialing Pulse, PLAR), GND-Start (Tip Open, Ring GND), OOS Alarm, Battery Reverse
	<ul style="list-style-type: none"> All in-band signaling tones are carried transparently by the digitizing process. Customer is responsible for in-band signaling compatibility between a telephone and a switch, or between a PBX and a switch.

Voice Card (12FXS, 12FXO, 24FXS, 24FXO)

12 FXS/FXO Connector	Twelve RJ11
24 FXS/FXO Connector	One RJ21X Female
Alarm Conditioning	CGA busy after 2.5 seconds of LOS, LOF
Encoding	A-law or μ -law, user selectable together for all
AC Impedance	Balanced 600 or 900 ohms (selectable together for all)
Longitudinal Conversion Loss	> 46dB
Cross talk measure	Max -70dBm0
Gain Adjustment	FXS: -21 to +3 dB / 0.1dB step transmit & receive FXO: -21 to +10 dB / 0.1dB step transmit & receive
Signal/ Distortion	> 25dB with 1004 Hz, 0dBm input
Frequency Response	- 0.25 to -1 dB from 300 to 3400 Hz, coincide with ITU-T G.712
Idle Channel Noise	Max. -65 dBm0p
Variation of Gain	± 0.5 dB
FXO	Ringing REN 0.5B (AC) Detectable Ringing 25 Vrms Loop Resistance $\leq 1800 \Omega$ DC Impedance (ON-HOOK) $> 1M \Omega$ DC Impedance (OFF-HOOK) 235 Ω @ 25mA feed 90 Ω @ 100mA feed
FXS Loop Feed	-48Vdc or -24Vdc with 25mA current limit per port Jumper Selectable: 25mA(default=25mA), 30mA, or 35mA(sn=S1)
FXS Signalling	Normal / PLAR: Private Line Auto Ring down
FXS Ringing	1 REN at 5K meters per port 16.7Hz, 20Hz, 25Hz, 50Hz, user selectable for all ports Jumper selectable: 64, 76, and 85 Vrms (triangle wave), (default= 76 Vrms for Ring Voltage) 2 sec on 4 sec off, or 1 sec on 2 sec off optional for PLAR ON
FXS Tone	Alarm Tone: 480Hz/620Hz/-24dBm Ring Back Tone: 440Hz/480Hz/-19dBm
FXS functions	Basic functions: Bettary Reverse, Loop Star, PLAR Optional functions: PLAR ON/PLAR bit programmable, Ground Start, and/or Meter Pulse.
Signaling Bit A,B,C,D	Programable bit

- All in-band signaling tones are carried transparently by the digitizing process.
- Customer is responsible for in-band signaling compatibility between a telephone and a switch, or between a PBX and a switch.
- FXS specification shown above support FXS hardware version N and up.

Phone Line Monitor Card

Connector	Four RJ11 connectors
Alarm Conditioning	CGA busy after 2.5 seconds of LOS, LOF
Encoding	A-law or μ -law, user selectable as a group
Impedance	Balanced 15K Ohm
Total Distortion	> 35dB with 1004 Hz, 0dBm input
Frequency Response	0 ~ -0.5 dB from 300 to 2000 Hz -0.5 dB ~ -2 dB from 2000 to 3300 Hz
Idle Channel Noise	> -60 dBm0
Gain Adjustment	0, -3, -6 or +7 dB for PLM (B) transmit gain (D/A)
(All Port Setting)	0, -3, -6 or +3dB for PLM (A) receive gain (A/D)
Off-Hook Detect Level	< -6V Line to GND
Operational Temp.	0°C to 50°C
Relative Humidity	0% to 95%
Power	110 ~ 220 VAC, -48 Vdc

All in-band signaling tones are carried transparently by the digitizing process.

Signaling Bits

Status		Normal								AB Bit Invert							
		Tx				Rx				Tx				Rx			
		A	B	C	D	A	B	C	D	A	B	C	D	A	B	C	D
PLM (A) to Line	Line On Hook	1	1	0	1					0	1	0	1				
	Line Off Hook	0	1	0	1					1	1	0	1				
PLM (B) to Monitor	Battery (-48V)					1	1	0	1					0	1	0	1
	Battery (-6V)					0	1	0	1					1	1	0	1

TDMoE

Combo Gigabit Ethernet(GbE) Interface	
Number of Ports	2
Speed	10/100/1000M bps
Connector	RJ45 for twisted pair GbE, LC for optical GbE, auto detection
Gigabit Ethernet(GbE) Interface	
Number of Port	2
Speed	10/100/1000 BaseT
Connector	RJ45
Ethernet Function	
Basic Features	MDI/MDIX for 10/100/1000M BaseT auto-sensing Ping function contained ARP Per port, programmable MAC hardware address learn limiting (max. MAC table 8192 (8k) entry) Packet Delay Variation: <ul style="list-style-type: none"> - Unframed T1: Up to 340 ms - Framed T1: Up to 256 ms - E1: up to 256 ms - Framed T1 with CAS: Up to 192 ms
Packet Transparency	Packet transparency support for all types of packet types including IEEE 802.1q VLAN and 802.1ad (Q-in-Q)
QoS	User configurable 802.1p CoS, ToS in out going IP frame
Traffic Control	Ingress packet Rate limiting buckets per port for Ethernet port Supporting Rate-based and Priority-based rate limiting for LAN port Granularity: <ul style="list-style-type: none"> • From 64 Kbps to 1 Mbps in increments of 64 Kbps • From 1 Mbps to 100 Mbps in increments of 1 Mbps • From 100 Mbps to 1000 Mbps in increments of 10Mbps Pause frame issued when the traffic exceeding the limited rate before packet dropped following IEEE802.3X
Link Aggregation	WAN support link aggregation
Jitter & Wander	
PPM: per G.823 Traffic	
PPB: per G.823 Synchronous	
Standard Compliance	
IETF	TDMoIP (RFC5087), SAToP (RFC4553), CESoPSN (RFC5086)
IEEE	802.1q, 802.1p, 802.1d, 802.3, 802.3u, 802.3x, 802.3z, 802.1s, 802.1w, 802.1AX

Clock Source

Internal, E1/T1 Line, External

Alarm Relay

Max. Current: 1A for 24VDC, 0.625A for 48VDC
Fuse alarm, performance alarm

System Configuration Parameters

Active Configuration, Stored Configuration, and Default Configuration (Stored in Non-volatile Memory)

Management

Console	Electrical: RS232; Connector: DB9, female User Interface: Menu driven VT-100
Ethernet	1 port, Connector: RJ45 10/100 Base T, SNMPv1, v3/Telnet/SSH
Inband Management	Inband 64 Kbps, support HDLC/PPP

Performance Monitor

Performance Registers	Last 24 hours performance in 15 minute intervals and last 7 days in 24 hour summaries
Separate Registers	Network, user, and remote site
Performance Reports	Reports include E1 Bursty Errored Second, Severe Errored Second, Degraded Minutes. Also available in Statistics (%)
Alarm Queue	To record the latest alarm type, location, and date & time
Threshold	Bursty Seconds, Severely Errored Second, Degraded Minutes

Diagnostics

Loopback	E1/T1 interface (Line Loopback, Payload Loopback, Local Loopback), DTE Loopback (DTE-to-DTE, DTE to Line)
Test Pattern	For Controller: 2 ²⁰ -1, 2 ¹⁵ -1, 2 ¹¹ -1, 2 ⁹ -1, and 4-byte user define pattern

Front Panel

Controller LED Indicators	Power, ACTIVE, ALARM A, B, C, D slots: SYNC/TEST, LOF, BPV, RAI/AIS
---------------------------	--

Physical /Electrical

	AM3440-A	AM3440-B	AM3440-C
Dimensions	432.4 x 220 x 223.5 mm (W×H×D)	438 x 110 x 224 mm (W×H×D)	438 x 132 x 224 mm (W×H×D)
Power	Single/ Dual -48 Vdc: -36 to -75 Vdc, 100 Watts max. Single/ Dual -48 Vdc: -36 to -75 Vdc, 150 Watts max. Single/ Dual -24 Vdc: -18 to -36 Vdc, 150 Watts max Single/ Dual -125 Vdc: -40 to -150 Vdc, 100 Watts max	Single/ Dual -48 Vdc: -36 to -75 Vdc, 100 Watts max. Single AC: 100 to 240 Vac, 50/60 Hz	Single/ Dual -48 Vdc: -36 to -75 Vdc, 100 Watts max. Single AC: 100 to 240 Vac, 50/60 Hz
Temperature	0-55 °C	0-55 °C	0-55 °C
Humidity	0-95%RH (non-condensing)	0-95%RH (non-condensing)	0-95%RH (non-condensing)
Mounting	Desk-top stackable, 19" /23" rack mountable	Desk-top stackable, 19" /23" rack mountable	Desk-top stackable, 19" /23" rack mountable
Line Power Supply	Available only with DC power for G.SHDSL card only	N/A	N/A
Power Consumption	Max 110 Watts	Max 45 Watts	Max 57 Watts

Certification

AM3440-A	AM3440-B	AM3440-C
EN55022 Class A, EN50024, EN300 386, FCC Part 15 Class A, FCC Part 68, CS-03, IEC60950, UL60950, IEC 61850-3, IEEE 1613	EN55022 Class A, EN50024, EN300 386, FCC Part 15 Class A, FCC Part 68, CS-03, IEC60950-1, EN60950-1	EN55022 Class A, EN50024, EN300 386, FCC Part 15 Class A, IEC60950-1, CS-03, EN60950-1, IEC 61850-3, IEEE 1613

Compliance

ITU G.703, G.704, G.706, G.732, G.736, G.823, G.826, G.711, G.712, G.775, O.151, V.11, V.28, V.54
IETF SNMP v.3 (RFC2571~2575)

Specifications for Loop-VV Y-BOX

LINE

Connector	BNC or RJ48C
Port Number	For Y-BOX with BNC connectors: 4 line ports For Y-BOX with RJ48C connectors: 16 line ports
Protection	For Y-BOX with BNC connectors: support 2 Quad E1 plug-in card, 4 active E1, 4 standby E1 For Y-BOX with RJ48C connectors: support 8 Quad E1 plug-in cards, 16 active E1, 16 standby E1 For Y-BOX with RJ48C connectors: support 8 Quad T1 plug-in cards, 16 active T1, 16 standby T1

Mechanical

Height	44.5 mm/ 1.75 in
Width	432 mm/ 17 in
Depth	100 mm/ 3.9 in

Certification of IEC 61850-3 and IEEE1613:

The certification only applies to AM3440-A with -48Vdc(150W) and AM3440-C with -48Vdc(100W).

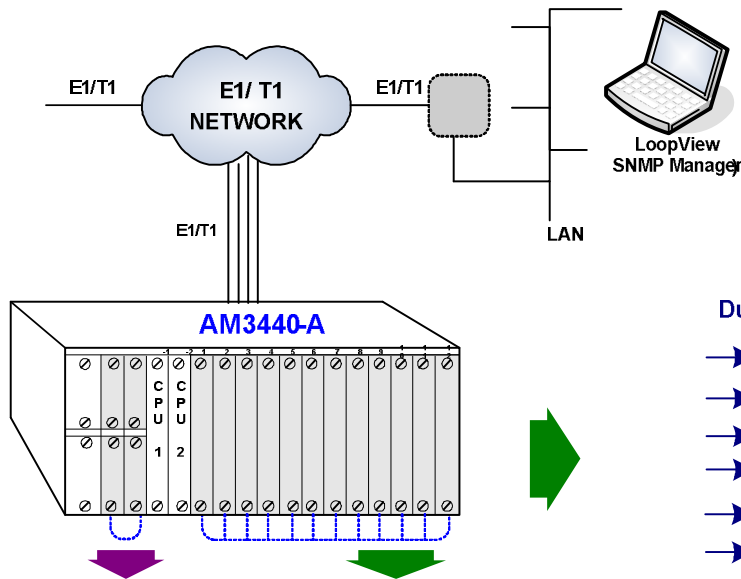
	Plug-in cards	AM3440-A -48Vdc(150W)	AM3440-C -48Vdc(100W)
Power	Power Module		
CTRL	Console and SNMP port of CCA	√, S	√, S
Mini-Slot	1-channel E1 (Single E1 interface)	√	√
	1-channel T1 (Single T1 interface)	√	√
	Mini Quad E1 (Four E1 interfaces)	√	√
	1-channel E1 ATM/Frame Relay	√, S, D	D, ×
	1-channel T1 ATM/Frame Relay	√, S, D	D, ×
	Fiber optical interface	√	√
	1-channel X.21	√, S	√, S
	1-channel V.35	√, S	√, S
	1-channel RS232	√, S	√, S
	1-channel EIA530	√, S	√, S
	Quad 2W/4W E&M (Four E&M voice interfaces)	×	√*
	QFXS (Four FXS voice interfaces)	×	√*
	QFXO (Four FXO voice interfaces)	×	√
	QFXSA (Four FXS voice interfaces)	×	√
	2-LAN port/32 WAN port Router	√, S	√, S
	2-LAN port/64 WAN port Router-A	√, S	√, S
	3-channel Terminal Server	√, S	√, S
	Phone Line Monitor (PLM) cards	×	×
	1-channel OCU-DP	×	√
	Echo Canceller Card	×	×
	Analog Bridge Card	×	×
	Single-Slot	3-channel E1	√
3-channel T1		√	√
4-channel E1		√	√
4-channel T1		√	√
8-channel OCU-DP		√	×
2-channel G.SHDSL (2 pairs) w/o line power		√	√
4-channel G.SHDSL (1 pair) w/o line power		√	√
8-channel G.703 card at 64 Kbps data rate		√	√
8-channel Dry Contact I/O		√, S (Inputs)	√, S (Inputs)
8-channel Dry Contact I/O type B		√, S (Inputs)	√, S (Inputs)
8-channel 2W/4W E&M		√	√
12-channel FXS		√	√
12-channel FXO		√	√
12-channel Magneto		×	×
Conference card		√, S (DTE)	√, S (DTE)
1-channel low speed optical (C37.94)		√	√
4-channel low speed optical (C37.94)		√	√
8-channel RS232 with X.50 subrate		√, S	√, S
6-channel V.110	×	×	
8-LAN-port/ 64-WAN-port Router-B	√	√	

	4-channel TDMoE	x	√, S
	8-channel Data Bridge	x	√, S
	1FOMA	x	√
	8-channel UDTEA	x	√, S
Dual-Slot	6-channel X.21/V.11	√, S	√, S
	6-channel V.35	√, S	√, S
	6-channel V.36	√, S	√, S
	6-channel EIA530/RS449 card	√, S	√, S
	2-channel G. SHDSL (2 pairs) with line power	x	x
	4-channel G. SHDSL (1 pair) with line power	x	x
	24-channel FXS	√	√*
	24-channel FXO	√	√

Note:

√ = Supported S = When Use Shield Cable D = Discontinued x = Not Support * = Power Option: pt1613

Application Illustrations



Dual-slot plug-in cards:

- 6- channel X.21/V.11
- 6- channel V.35
- 6- channel V.36
- 6- channel EIA530/RS449
- 24- channel FXS
- 24- channel FXO
- 2- channel G.SHDSL w/line power
- 4- channel G.SHDSL w/line power

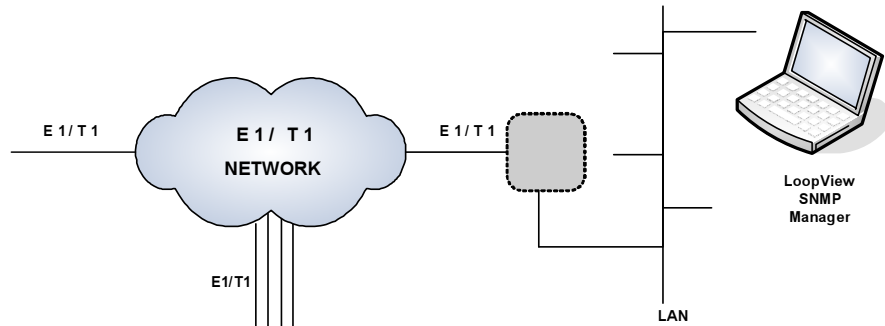
Mini-Slot plug-in Cards

- 1 - channel E1
- 1 - channel T1
- Mini Quad E1
- 1 - channel E1 ATM Frame Relay (D)
- 1 - channel T1 ATM Frame Relay (D)
- 32 WAN port Router
- 64 WAN port Router
- Fiber Optical Interface
- 3- channel Terminal Server
- 1- channel DTE (1X.21, 1V.35, 1RS232, or 1EIA530)
- ECA
- ABRA

Single-Slot plug-in Cards

- 3- channel E1 Note
- 4- channel E1
- 4- channel T1
- 8- channel OCU-DP
- 2- channel G. SHDSL w/o line power
- 4- channel G SHDSL w/o line power
- 8- channel G. 703 64 Kbps
- 8- channel Dry Contact I/O
- 8- channel Dry Contact I/O type B
- 8- channel 2 W/4 W E&M
- 12- channel FXS
- 12- channel FXO
- 12- channel Magneto
- 1 - channel C37.94
- 4- channel C37.94
- 8- channel RS232 with X.50 subrate
- 6 - channel V.110
- 8- LAN -port /64- WAN- port Router -B
- Conference card
- TDMoE
- 8- Data Bridge
- 1FOM-A
- 8UDTEA

Note : Only CHAJ Unit applicable to DSO SNCP function (D) = Discontinued



Mini-Slot plug-in Cards

- ➔ 1 - channel E1
- ➔ 1 - channel T1
- ➔ Mini Quad E1
- ➔ 1 - channel E1 ATM Frame Relay (D)
- ➔ 1 - channel T1 ATM Frame Relay (D)
- ➔ 32 WAN port Router
- ➔ 64 WAN port Router
- ➔ Fiber Optical Interface
- ➔ 3- channel Terminal Server
- ➔ Quad 2 W/4W E&M
- ➔ QFXS/QFXO
- ➔ QFXSA
- ➔ 1- channel DTE (1X.21, 1V.35, 1RS232, or 1EIA530)
- ➔ 1- channel OCU-DP
- ➔ Phone Line Moitor Card
- ➔ ECA
- ➔ ABRA

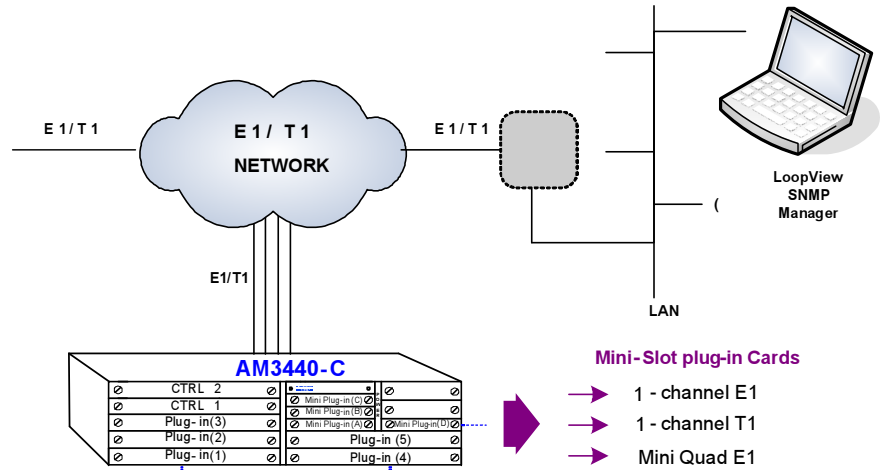
Dual-slot plug-in cards:

- ➔ 6- channel X.21/V.11
- ➔ 6- channel V.35
- ➔ 6- channel V.36
- ➔ 6- channel EIA530/RS449
- ➔ 24- channel FXS
- ➔ 24- channel FXO

Single-Slot plug-in Cads:

- ➔ 3- channel E1 *Note*
- ➔ 3- channel T1
- ➔ 4- channel E1
- ➔ 4- channel T1
- ➔ 2- channel G.SHDSL w/o line power
- ➔ 4- channel G.SHDSL w/o line power
- ➔ 8- channel G.703 64 Kbps
- ➔ 8- channel Dry Contact I/O
- ➔ 8- channel Dry Contact I/O Type B
- ➔ 8- channel 2W/4W E&M
- ➔ 12- channel FXS
- ➔ 12- channel FXO
- ➔ 12- channel Magneto
- ➔ 1- channel C37.94
- ➔ 4- channel C37.94
- ➔ 8- channel RS232 with X.50 subrate
- ➔ 6 - channel V.110
- ➔ 8 - LAN-port / 64- WAN - port Router -B
- ➔ Conference card
- ➔ TDMoE
- ➔ 8- Data Bridge
- ➔ 1FOMA
- ➔ 8UDTEA

Note: Not Applicable to DS0 SNCP function
(D) = Discontinued



Dual-slot plug-in cards:

- 6- channel X.21/V.11
- 6- channel V.35
- 6- channel V.36
- 6- channel EIA530/RS449
- 24- channel FXS
- 24- channel FXO

Single-Slot plug-in Cards:

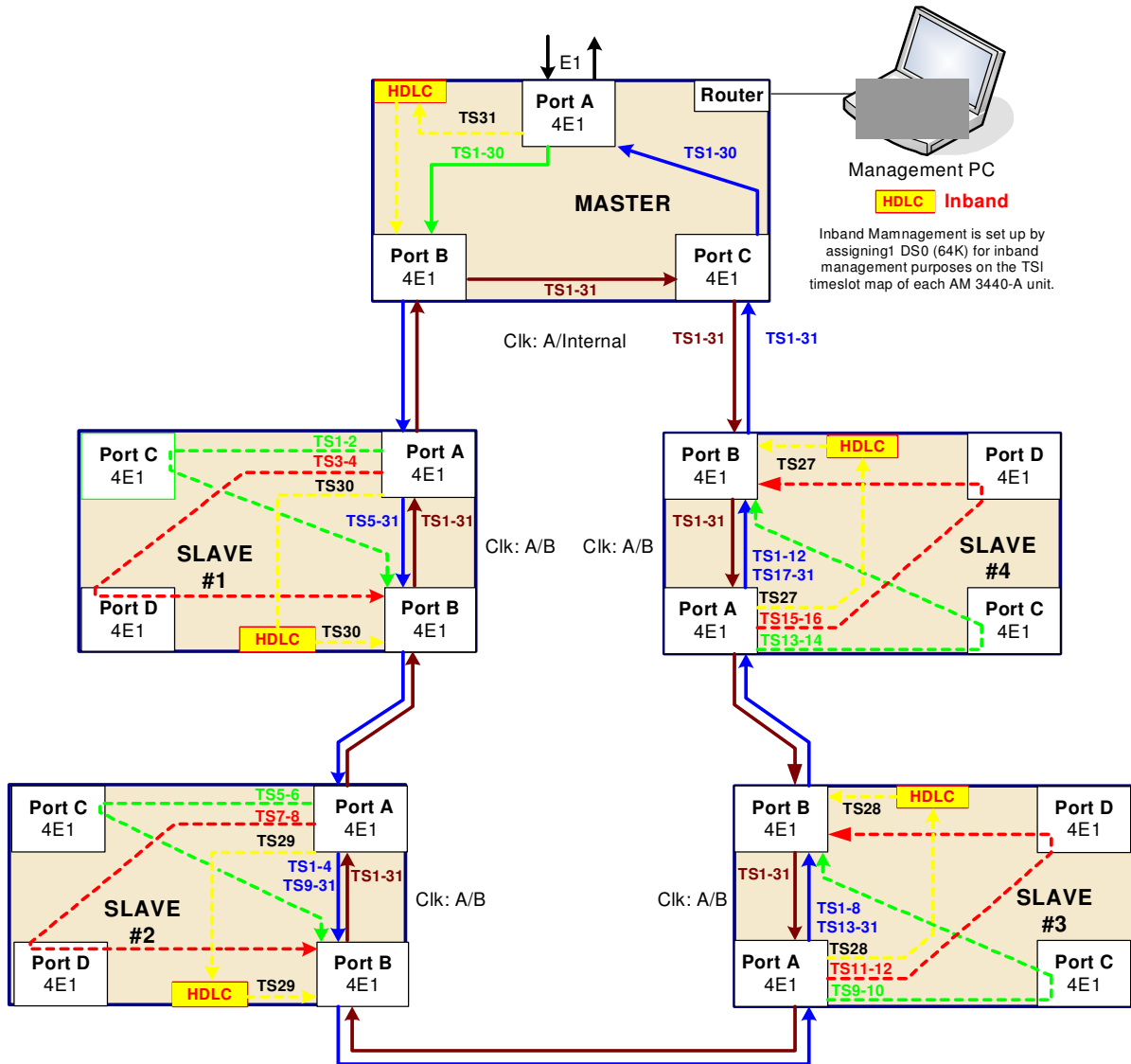
- 3 - channel E1 Note
- 3 - channel T1
- 4 - channel E1
- 4 - channel T1
- 2 - channel G.SHDSL w/o line power
- 4 - channel G.SHDSL w/o line power
- 8 - channel G.703 64 Kbps
- 8 - channel Dry Contact I/O type B
- 8 - channel Dry Contact I/O
- 8 -
- 8 - channel 2W/4W E&M
- 12- channel FXS
- 12- channel FXO
- 12- channel Magneto
- 1 - channel C37.94
- 4 - channel C37.94
- 8 - channel RS232 with X.50 substrate
- 6 - channel V.110
- 8 - LAN-port / 64- WAN - port Router -B
- Conference card
- TDMoE
- 8- Data Bridge
- 1FOMA
- 8UDTEA

Mini-Slot plug-in Cards

- 1 - channel E1
- 1 - channel T1
- Mini Quad E1
- 1 - channel E1 ATM Frame Relay (D)
- 1 - channel T1 ATM Frame Relay (D)
- 32 WAN port Router
- 64 WAN port Router
- Fiber Optical Interface
- 3- channel Terminal Server
- Quad 2 W/4W E&M
- QFXS / QFXO
- QFXSA
- 1 - channel DTE (1X.21, 1V.35, 1RS232, or 1EIA530)
- 1- channel OCU-DP
- Phone Line Moitor Card
- ECA
- ABRA

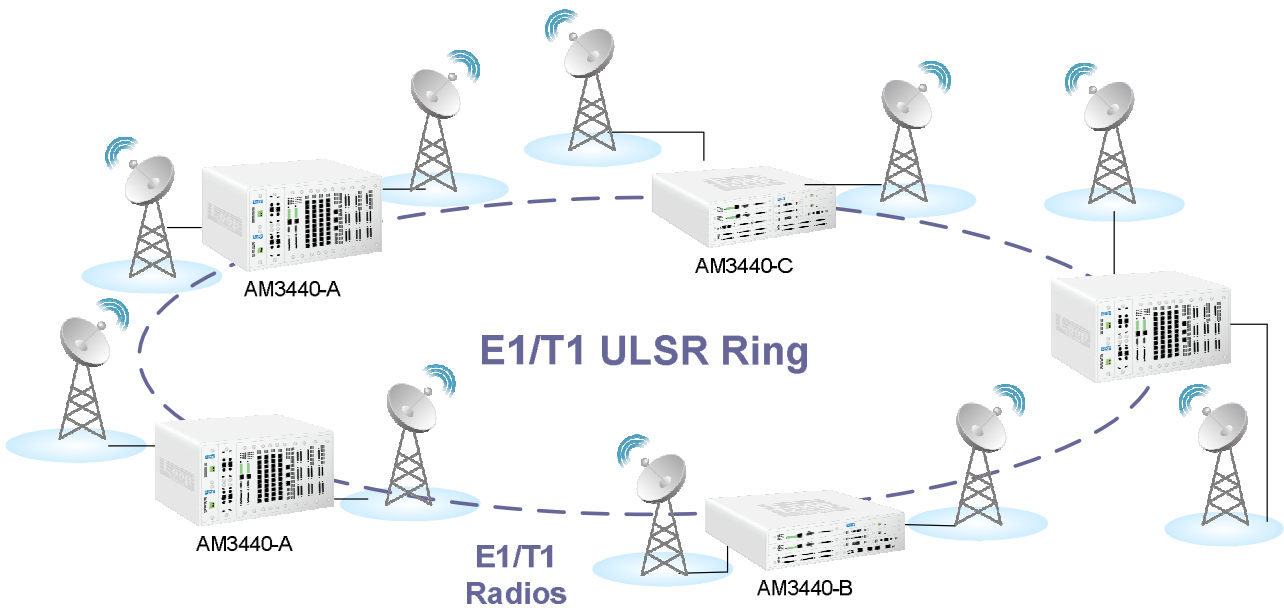
Note : Only CHCJ Unit applicable to DS0 SNCP function
(D) = Discontinued

ULSR Ring Application



Note: ULSR ring does not support E1 unframed mode. Users must use E1 framed mode to set up a ULSR ring.

AM3440 ULSR Ring Application through E1/T1 Radio



LOOP TELECOMMUNICATION INTERNATIONAL, INC.
ISO 9001 / ISO 14001

Worldwide
 8F, No. 8, Hsin Ann Road
 Hsinchu Science Park
 Hsinchu, Taiwan 30078
 +886-3-578-7696
 www.looptelecom.com
 sales@looptelecom.com

Taipei, Taiwan
 6F, No. 36, Alley 38, Lane 358
 Rueiguang Road
 Neihu, Taiwan 11492
 +886-2-2659-0399
 michael_tzeng@looptelecom.com

North America
 8 Carrick Road
 Palm Beach Gardens
 Florida 33418, U.S.A.
 +1-561-627-7947
 jimber561@aol.com

Tianjin, China
 No. 240 Baidi Road
 Nankai District
 Tianjin 300192 China
 +86-22-8789-4027
 wym@loop-tj.com